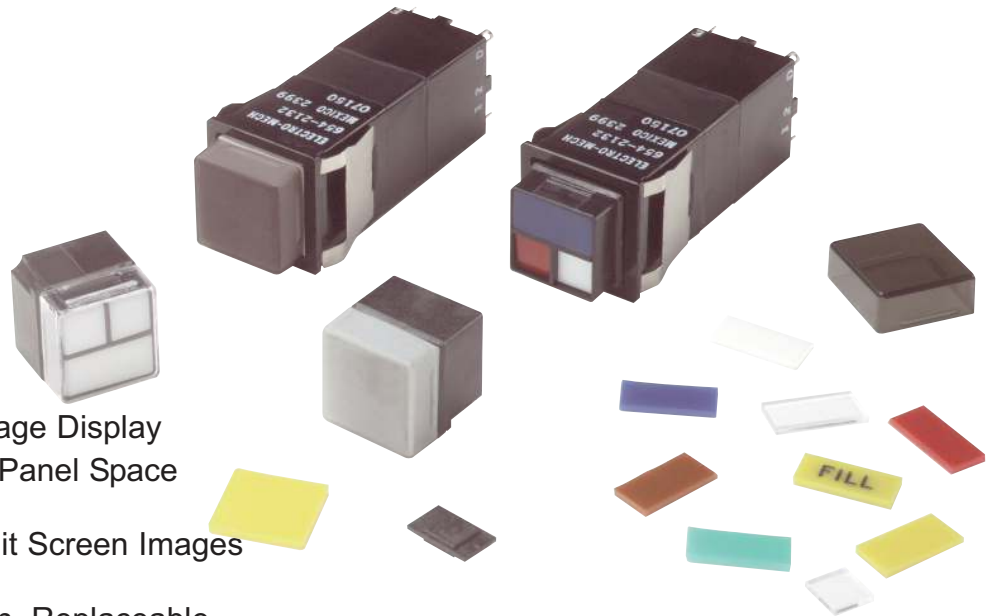
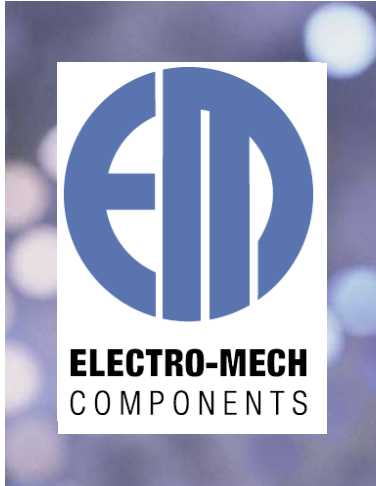


# Series 900-SMT

Multi-Image

## 3/4" Square LED Pushbutton Switches

Page 1 of 5



- Single Module, Multi-Image Display Design Saves Valuable Panel Space
- Horizontal & Vertical Split Screen Images
- Easy Snap-In Installation, Replaceable Lenses/Filters
- SPST - 6PDT Switching Functions
- SMT LEDs on PCB Array Backlighting
- 28VDC Lens Operating Voltage

Ideal for a variety of applications where several switching functions or status indicators are needed, the Series 900-SMT provides remarkable display versatility and multi-LED redundancy. These compact, low-profile switches can be specified for exacting requirements in both switch function, versatility of lens and legend displays. For added flexibility, legends, filters, and colors can be easily changed in the field.

Series 900-SMT (3/4" square) units can be specified in singular or multiple switch circuit functions from SPST to 6PDT, with momentary or alternate action switching actions. Independent circuitry increases reliability and a unitized, insulated housing assures proper insulation. An optional clear lens cover protects and enhances replaceable filters. Units snap-in from front of panel with a low-profile flush bezel. Hidden legend lenses are also available.

**electro-mech**

[www.electromechcomp.com](http://www.electromechcomp.com)

# Series 900-SMT

Multi-Image

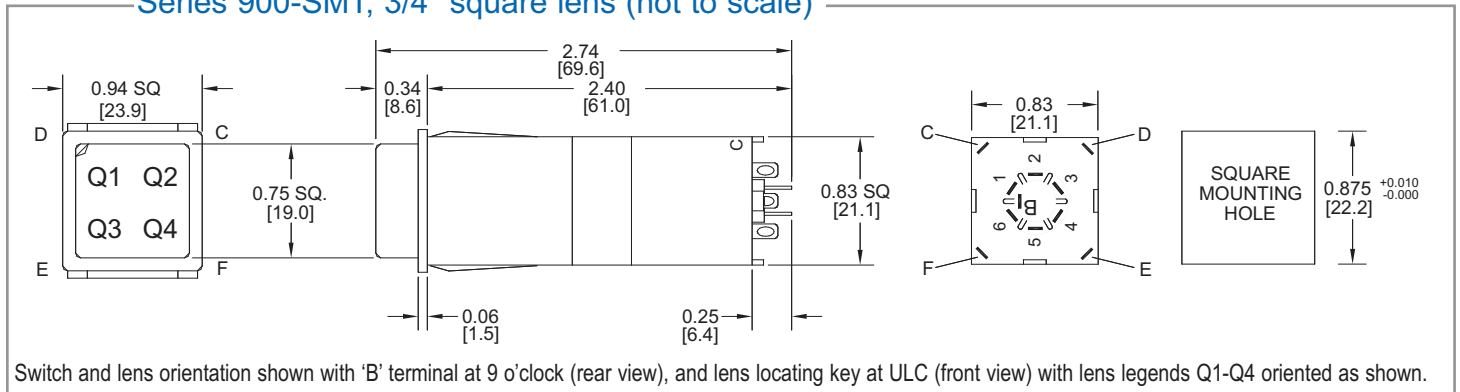
## 3/4" Square LED Pushbutton Switches



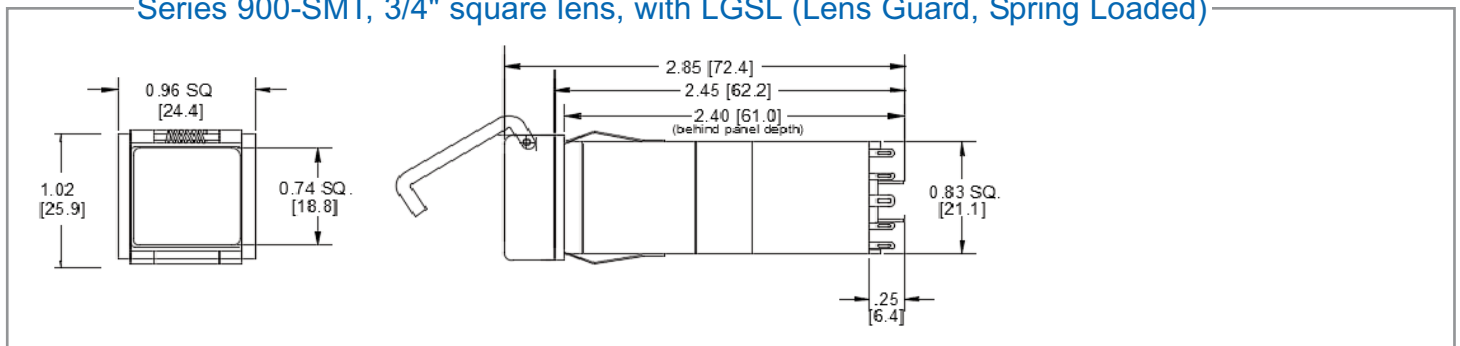
### Specifications:

Ratings:	30 volts DC or 120 volts AC, 1.0A res., 0.5A ind.
Life:	100,000 cycles minimum
Weight:	0.8 oz. (23 g) (max.)
Operating Pressure:	2 lbs. $\pm$ 1 lb. (908g $\pm$ 454g)
Plunger Travel:	0.187" (4.7mm) (approx.)
Terminals:	EMC solder lug terminals. Accepts two 20 AWG wires. PC pins also available.
Pushbutton Lenses With LED's:	See part number table. All lenses include SMT LED's on PCB built into the lens base. LED's are not replaceable. Lens cap, lens filters, and lens legends are replaceable.

### Series 900-SMT, 3/4" square lens (not to scale)



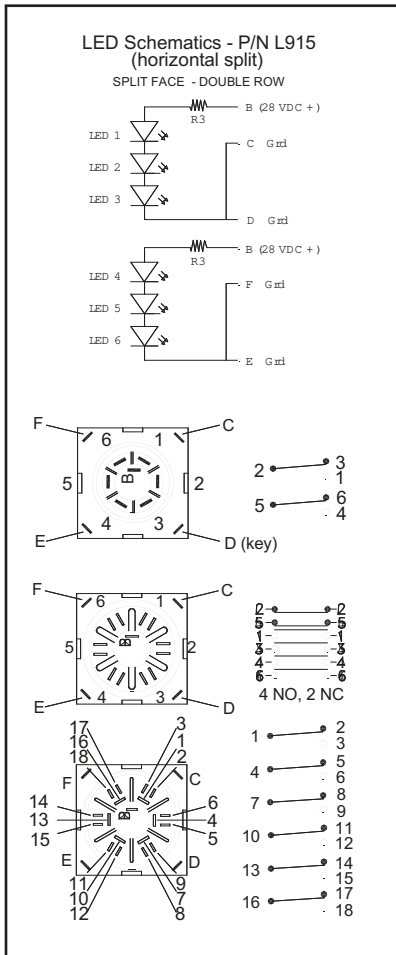
### Series 900-SMT, 3/4" square lens, with LGSL (Lens Guard, Spring Loaded)



**Electro-Mech Components, Inc.** • (626) 442-7180 • (888) 442-7180 • Fax (626) 350-8070  
 1826 Floradale Avenue • South El Monte, CA 91733-3689 USA  
 Email: [info@electromechcomp.com](mailto:info@electromechcomp.com) • Web: [www.electromechcomp.com](http://www.electromechcomp.com)

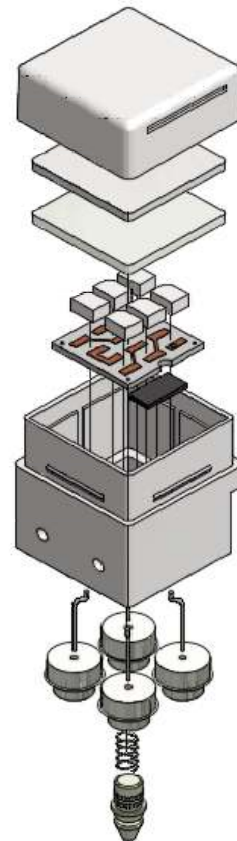
# Series 900-SMT

## Multi-Image 3/4" Square LED Pushbutton Switches



Lens Option Description		3/4" Sq. Horizontal Key ULC*
	Quad light with no barriers	L914
	Quad light with horizontal barrier	L915
	Quad light with horizontal barrier plus vertical barrier in top half	L916
	Quad light with horizontal barrier plus vertical barrier in bottom half	L917
	Quad light with horizontal and vertical barriers	L918
	Quad light with vertical barrier	L919
	Quad light with vertical barrier plus horizontal barrier in left half	L920
	Quad light with vertical barrier plus horizontal barrier in right half	L921

\*ULC = upper lefthand corner, horizontal mount.



### Specifying Series 900-SMT Multi-LED Lens Filters and Legends:

- Specify lens part number from table above.
  - If replaceable legend lens is required, specify "C" (clear), "F" (frosted), "S1" (smoke grey, glossy finish) or "S2" (smoke grey, with sand blasted finish). This cap will be removeable and legend and filter plates can be changed or replaced.
    - If non-replaceable legend lens is required, specify "W" (white) or other color code (R, B, etc.). Lens cap will be epoxied to lens base and non-removeable.
  - Standard lens base is white. To order in black, specify "black base." (Often used with PN/hidden legend appearance.)
  - Specify Photo Positive (PP) or Photo Negative (PN) lens legends after lens cap designation.
  - Specify all four quadrants of the lens assembly regardless of lens part number. The four quadrants are specified 1,2 across the top and 3,4 across the bottom. The four color codes before the slash are the non-illuminated lens color in the replaceable legend lens assembly. After the slash, the color codes are the filter colors. If no filter required, specify "CCCC".
- Examples: L915W-RRGG/CCCC                      L915C/PP-GGWW/CCCC engr CKT A, CKT B  
L938F-WRGY/YCCC                      L919S2/PN-WWWW/CCCC blk base engr READY, CAUTION

We have created many custom lenses including hidden legends, photo positive and negative legend films, and matte finishes. Please contact us regarding your specific requirements. (900-SMT 12/2021)

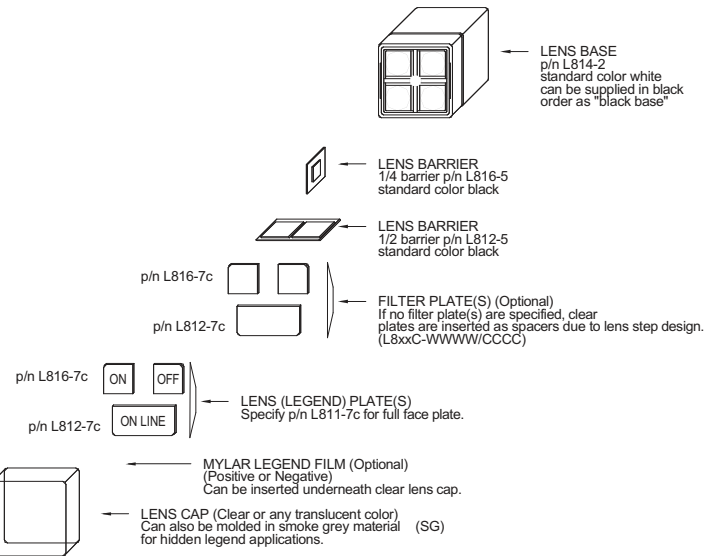
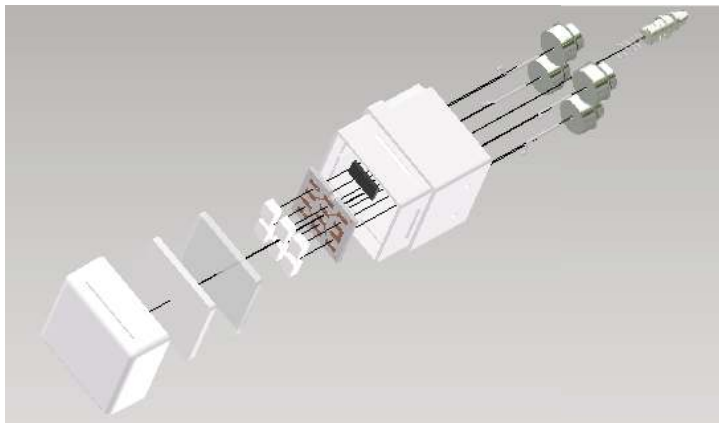
# Series 900-SMT

Multi-Image

## 3/4" Square LED Pushbutton Switches

### INTERCHANGEABLE LEGENDS/FILTERS

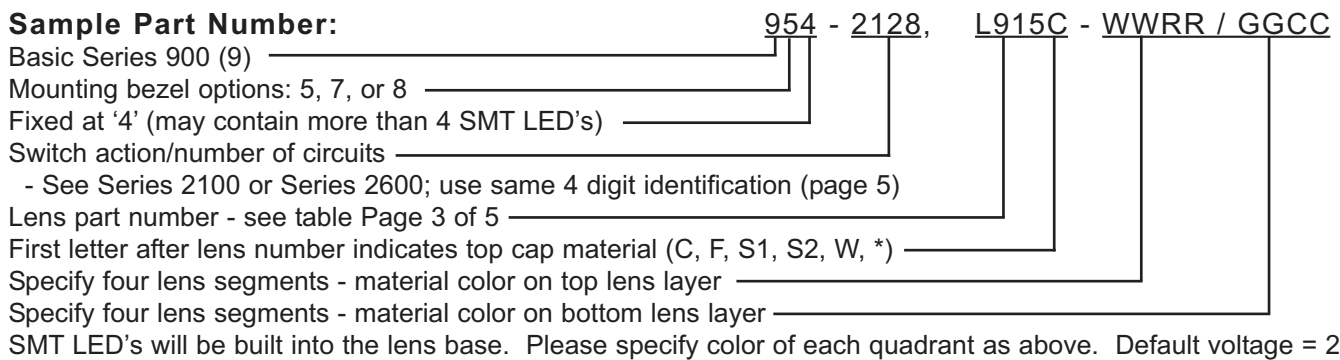
Series 900-SMT models may be specified with standard lenses shown on Page 3 of 5 or these replaceable lens filters for added versatility.



### Ordering Information:

All part numbers in Series 900-SMT require an EMC SW parts number, e.g. SW45999. Contact factory for SW#. Please try to determine the closest catalog number per the sample part number table below:

### Sample Part Number:



**Electro-Mech Components, Inc.** • (626) 442-7180 • (888) 442-7180 • Fax (626) 350-8070  
 1826 Floradale Avenue • South El Monte, CA 91733-3689 USA  
 Email: info@electromechcomp.com • Web: www.electromechcomp.com

# Series 900-SMT

Multi-Image

## 3/4" Square LED Pushbutton Switches

Part Number Table: Circuitry SPST-2PDT:

Switch Action	— SPST —		2PST			1PDT	2PDT	Notes:
	1N.O.	1N.C.	2N.O.	2N.C.	1N.O.			
Momentary	2128	2129	2130	2131	2132	2149	2150	Artificial click in momentary travel.
Snap Feel Momentary	2428	2429	2430	2431	2432	2449	2450	
Push-On/Push-Off	2228	2229	2230	2231	2232	2249	2250	Button is physically depressed in down position. See schematic below for terminal location.
Push-On/Remain-In/ Push-Off	2328	2329	2330	2331	2332	2349	2350	
Terminals Used:	1-2	2-3	1-2, 4-5	2-3, 5-6	1-2, 5-6	1-2-3	1-2-3, 4-5-6	

Part Number Table: Circuitry 3PST-6PDT:

Snap Feel Momentary	Momentary	Push-On Push-Off	Push-Off Remain-In Push-Off	Circuitry	Normally Open Terminals	Normally Closed Terminals
2530	2630	2730	2830	2PST - 2 N.O.	2, 5	-
2531	2631	2731	2831	2PST - 2 N.C.	-	2, 5
2532	2632	2732	2832	2PST - 1 N.O., 1 N.C.	2	5
2533	2633	2733	2833	3PST - 3 N.O.	2, 4, 6	-
2534	2634	2734	2834	3PST - 3 N.C.	-	2, 4, 6
2535	2635	2735	2835	3PST - 1 N.O., 2 N.C.	2	4, 6
2536	2636	2736	2836	3PST - 2 N.O., 1 N.C.	2, 4	6
2537	2637	2737	2837	4PST - 4 N.O.	1, 2, 4, 5	-
2538	2638	2738	2838	4PST - 4 N.C.	-	1, 2, 4, 5
2539	2639	2739	2839	4PST - 1 N.O., 3 N.C.	1	2, 4, 5
2540	2640	2740	2840	4PST - 2 N.O., 2 N.C.	2, 4	1, 5
2541	2641	2741	2841	4PST - 3 N.O., 1 N.C.	1, 2, 4	5
2542	2642	2742	2842	6PST - 6 N.O.	1, 2, 3, 4, 5, 6	-
2543	2643	2743	2843	6PST - 6 N.C.	-	1, 2, 3, 4, 5, 6
2544	2644	2744	2844	6PST - 1 N.O., 5 N.C.	1	2, 3, 4, 5, 6
2545	2645	2745	2845	6PST - 2 N.O., 4 N.C.	2, 5	1, 3, 4, 6
2546	2646	2746	2846	6PST - 3 N.O., 3 N.C.	2, 4, 6	1, 3, 5
2547	2647	2747	2847	6PST - 4 N.O., 2 N.C.	1, 3, 4, 6	2, 5
2548	2648	2748	2848	6PST - 5 N.O., 1 N.C.	2, 3, 4, 5, 6	1
Terminals used						
2550	2650	2750	2850	2PDT	4, 5, 6	13, 14, 15
2551	2651	2751	2851	3PDT	1, 2, 3	7, 8, 9
2552	2652	2752	2852	4PDT	1, 2, 3	4, 5, 6
2553	2653	2753	2853	5PDT	1, 2, 3	4, 5, 6
2554	2654	2754	2854	6PDT	1, 2, 3	4, 5, 6
						7, 8, 9
						10, 11, 12
						13, 14, 15
						16, 17, 18

For non-illuminated version, specify the digit "1" in the first position (e.g. 1652).

For **Indicator Light only (no travel)**, specify **-3210** after bezel part number (e.g. 654-3210).