

SW44895

Matches Industry Standard Mounting Hole Quad LED Pushbutton Switch

Series 644-2100 with Enhanced Options including Dust Boot & Cap



ELECTRO-MECH
COMPONENTS



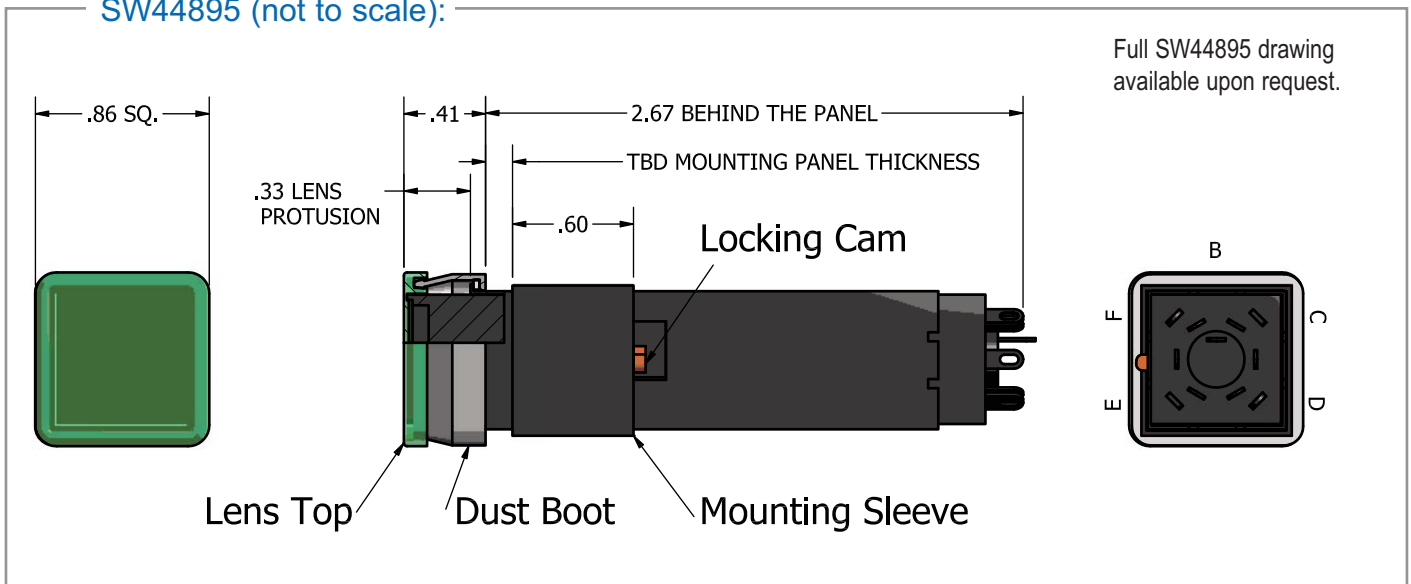
- ◆ Dual or Quad LED capability (single common)
- ◆ Full Face or Split Legend lenses
- ◆ Hidden Legend lenses
- ◆ Circuitry SPST - DPDT
- ◆ Enhanced options include mushroom cap & dust boot

Specifications:

Ratings:	2.0A resistive, 0.5A inductive
Operating Pressure:	2 lbs. \pm 1 lb. standard
Weight:	0.5 oz. (14 g) (approx.)
Switch Action:	Momentary or Alternate Action
Circuitry:	SPST - DPDT
Actuations:	100,000 min. at rated load.
Contacts:	Silver plated (Gold Plating also available).
Terminals:	Solder lug. PC pins available.
LED Colors:	Any standard LED color available.
LED Voltages:	5, 6, 12, 24 or 28VDC
LED/lamp common:	Single common only for all four LED circuits.

Electro-Mech has introduced its SW44895 Quad LED switch assembly multiple switching functions and Split Legend lenses versatility. Expanded from EMC's Series 644-2100, the SW44895 switch also offers a rubber dust boot for full panel seal (with accompanying boot ring) and an oversized 'mushroom' lens cap to match industry standard options.

SW44895 (not to scale):



electro-mech

www.electromechcomp.com

info@electromechcomp.com

1826 Floradale Avenue • South El Monte, CA 91733-3689 USA * (626) 442-7180 * (888) 442-7180 * Fax (626) 350-8070