

# SW44884

## Backlit Light Pipe ACP Volume Control Switch Combination Rotary Pot with Pushbutton Switch



**ELECTRO-MECH**  
COMPONENTS



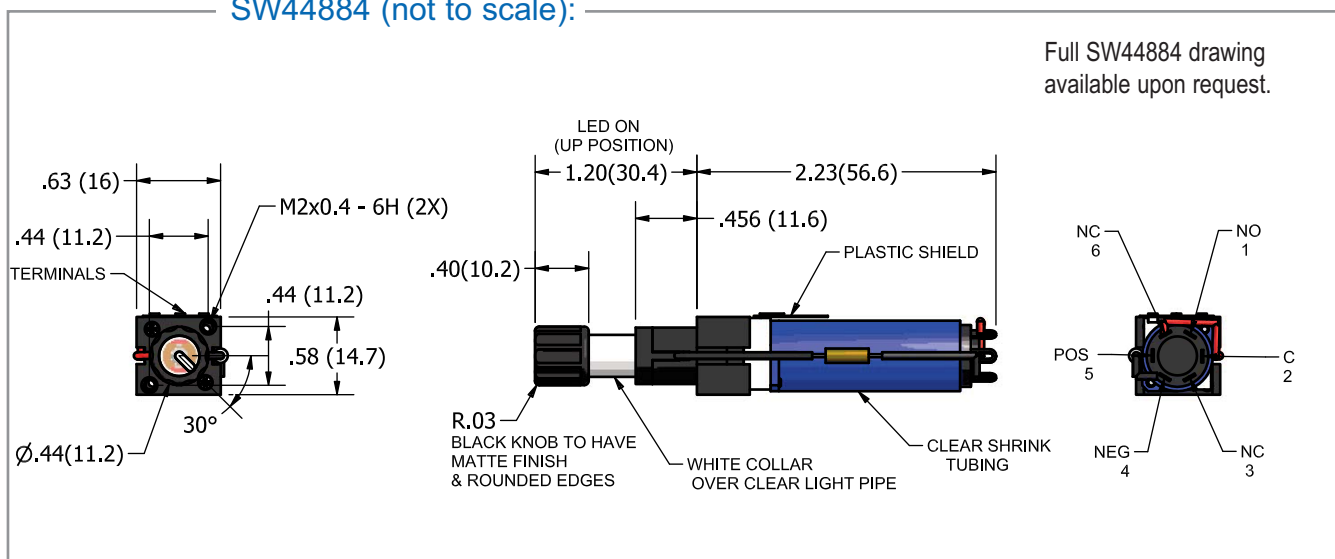
- ♦ Combination rotary pot. with P.B. switch
- ♦ Momentary or Alternate Action switching
- ♦ Ideal for audio volume control applications
- ♦ LED backlighting via light pipe shaft

### Specifications:

Ratings:	0.10A at 30 volts DC
Operating Pressure:	42 oz. ± 7 oz.
Weight:	0.5 oz. (14 g) (approx.)
Switch Action:	Alternate Action
Circuitry:	SPDT or DPDT
Actuations:	100,000 min. at rated load.
Contacts:	Silver plated (Gold Plating also available).
Terminals:	Solder lug terminals for SPDT circuit. LED leads wired to solder lug terminals on switch base. LED flying leads also available.
LED Colors:	White (all standard LED colors also available).
LED Voltages:	5, 6, 12, 24 or 28VDC
Knob/Actuator:	Fluted knob

Electro-Mech has introduced its SW44884 potentiometer switch assembly which offers both rotary and push-on functionality in a single assembly. The pushbutton shaft is backlit via two White LED's and offers superior front panel brightness. Typical design illumination at 5VDC with two independent LED circuits.

### SW44884 (not to scale):



**electro-mech**

[www.electromechcomp.com](http://www.electromechcomp.com)

[info@electromechcomp.com](mailto:info@electromechcomp.com)

1826 Floradale Avenue • South El Monte, CA 91733-3689 USA \* (626) 442-7180 \* (888) 442-7180 \* Fax (626) 350-8070