

SW44863

SPST Circuitry

ACP Channel Select Switch

Compact Pushbutton Switch with Horizontal Split Legend Lens



ELECTRO-MECH
COMPONENTS



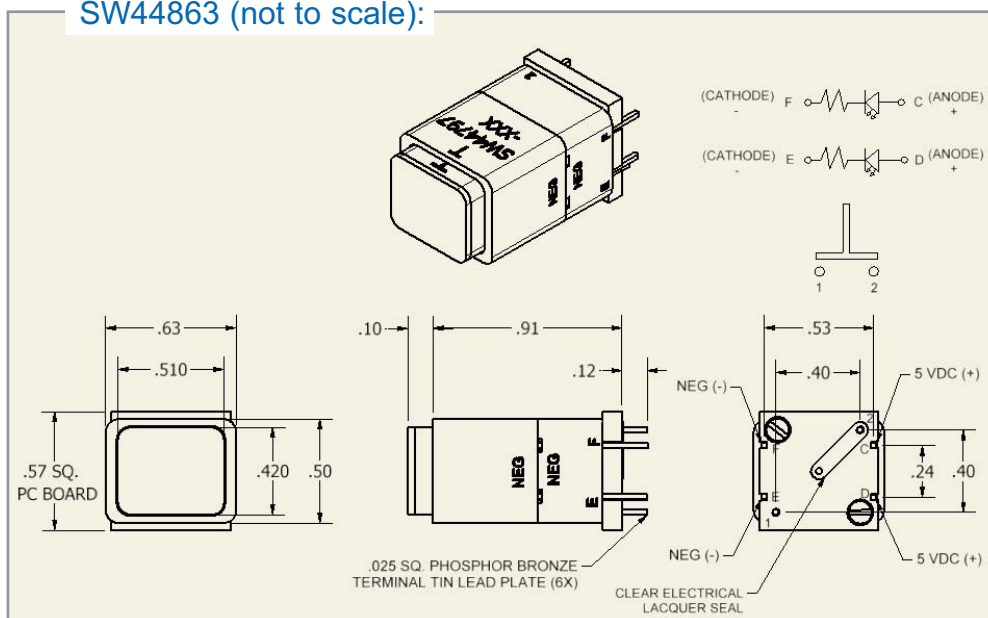
- ♦ Compact size <1.10" behind panel depth
- ♦ Horizontal split image lens
- ♦ Momentary snap-click feel with SPST circuit
- ♦ Button size 0.51" x 0.42"

Specifications:

| | |
|---------------------|--|
| Ratings: | 0.10A at 30 volts DC |
| Operating Pressure: | 32 oz. ± 5 oz. |
| Weight: | 0.5 oz. (14 g) (approx.) |
| Switch Action: | Momentary w/ Snap-Click |
| Actuations: | 250,000 min. at rated load. |
| Contacts: | Silver plated (Gold Plating also available). |
| Terminals: | Switch circuit pins (2) and 2X LED circuit pins (4) are all rear facing for direct PCB mounting. |
| LED Colors: | Amber, White, Blue, Green, Red, Orange, Yellow |
| Legends: | Custom Legends available (not replaceable) |

Electro-Mech has introduced its SW44863 split-image switch series offering an ideal solution for high density instrumentation panels. Typical application is for channel select pushbutton switch in avionics audio control panels. Pushbutton lenses feature hidden legend lenses with multiple LED color options. Typical design includes LED illumination at 5VDC with two independent LED circuits.

SW44863 (not to scale):



Full SW44863 drawing available upon request.

electro-mech

www.electromechcomp.com

info@electromechcomp.com

1826 Floradale Avenue • South El Monte, CA 91733-3689 USA * (626) 442-7180 * (888) 442-7180 * Fax (626) 350-8070