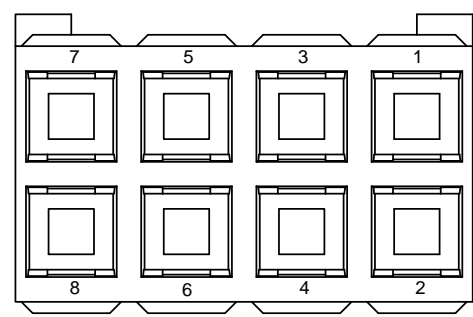
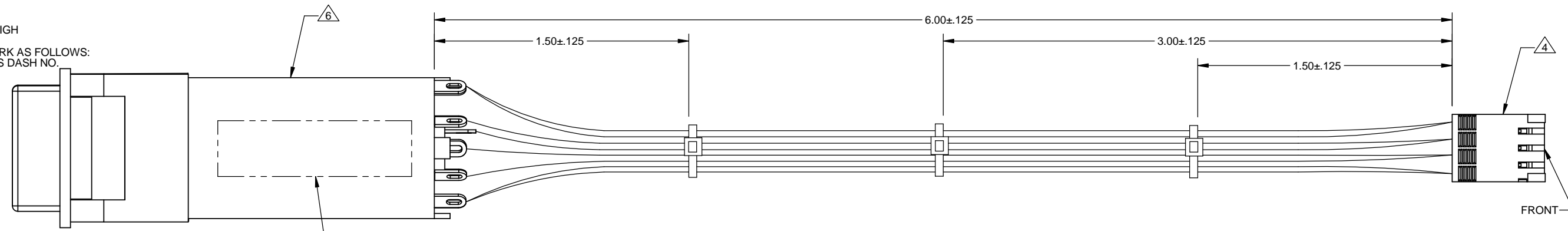


| | | | | |
|------------------|------|-------------|------|----------|
| DWG. NO. 1028450 | | REVISIONS | | |
| ZONE | REV. | DESCRIPTION | DATE | APPROVED |
| | | | | |
| | | | | |

- NOTES:
- INTERPRET DRAWING PER ASME Y14.100:
ASME Y14.38, ABBREVIATIONS
ASME Y14.5, DIMENSIONS AND TOLERANCES
MIL-STD-130, IDENT MARKING
 - WORKMANSHIP AND MATERIALS SHALL BE IAW IPC/WHMA-A-620, CLASS 3
AND IPC J-STD-001, CLASS 3.
 - WIRE HARNESS PIGTAIL:
3A. WIRE: UL1007-22-X, 22AWG.
3B. QUANTITY: 8 PIECES.
3C. LENGTH: 6.0" (± 0.125)
3D. SOLDER TO EACH EMC TERMINAL, AND COVER
SOLDER JOINT WITH HEATSHRINK TUBING, 3M BRAND,
P/N RW-3032, BLACK, 1/8" DIA.
3E. INCLUDE TIE WRAPS, NYLON, P/N 08432-0, ONE AT 1.50" FROM END OF SWITCH,
AND TWO AT 3.00" AND 1.50" FROM END OF HOUSING.
3F. PARTIAL STRIP 1/8" FREE END OF WIRES. CRIMP FEMALE
TERMINALS P/N 76347-301LF TO END OF WIRES.
 - HOUSING SHALL BE FCI BRAND P/N 65239-004LF.
 - WIRE TO TERMINAL "E" SHALL BE BLACK, REMAINING WIRES SHALL BE WHITE.
 - SWITCH HOUSING SHALL BE PART NUMBER SW44823-11 (SIMILAR TO CATALOG
PART NUMBER 654-2149).
 - RATINGS: 30VDC OR 115VAC, 2 AMPS RESISTIVE, 0.5 AMP INDUCTIVE.
 - SWITCH ACTION: MOMENTARY, NO CLICK.
 - OPERATING PRESSURE IS 1.75 ± 0.25 LBS.
 - ACTUATIONS: 100,000 MINIMUM.
 - CONTACTS: SILVER PLATED.
 - SWITCH TERMINALS: STANDARD EMC SOLDER LUG, ACCEPTS TWO 20 AWG WIRES.
 - LEGENDS SHALL BE 9 POINT FONT.
 - IDENTIFY PER MIL-STD-130, USE .12 INCH HIGH
CHARACTERS WITH CONTRASTING INK.
LOCATE APPROXIMATELY AS SHOWN. MARK AS FOLLOWS:
81996 - 1028450-XXX WHERE XXX DENOTES DASH NO.
MFR -

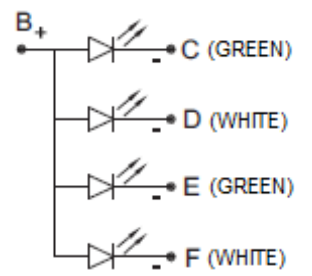


| CONNECTION LIST | |
|-----------------|--------------------|
| SWITCH TERMINAL | HOUSING PIN NUMBER |
| E | 1 |
| F | 2 |
| 2 | 3 |
| B | 4 |
| 3 | 5 |
| 1 | 6 |
| D | 7 |
| C | 8 |



SWITCH WITH PIGTAIL CONNECTOR
TOP VIEW

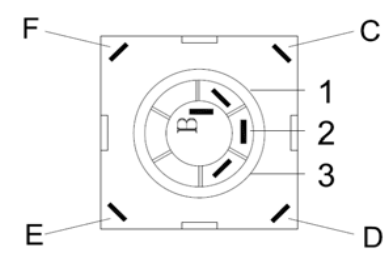
SW44823 REV X7 07Mar12



LED DIAGRAM



SWITCH DIAGRAM



SWITCH CONNECTOR
REAR VIEW
VIEW WITHOUT WIRES

PRELIMINARY COPY
WORK IN PROGRESS

VENDOR ITEM DRAWING

| SOURCE(S) OF SUPPLY | | |
|---------------------|--|---------------------|
| CAGE | VENDOR | PART # |
| 07150 | ELECTRO-MECH COMPONENTS 1826 FLORADALE AVENUE SOUTH EL MONTE, CA. 91733-3689 | SEE TABLE ON PAGE 2 |

DISTRIBUTION STATEMENT A:
APPROVED FOR PUBLIC RELEASE; DISTRIBUTION IS UNLIMITED

| | | | |
|---|------|--|--|
| UNLESS OTHERWISE SPECIFIED DIMENSIONS ARE IN INCHES-TOLERANCES ON: FRACTIONS DECIMALS ANGLES NA .XX ± .03 ± 1 DEG .XXX ± .010 MACHINED SURFACE ROUGHNESS 125 MICROINCHES MAX. ALL DIMENSIONS ARE PRIOR TO APPLYING FINISH. | | CONTRACT NO. IRON MOUNTAIN SOLUTIONS HUNTSVILLE AL | US ARMY AVIATION AND MISSILE COMMAND REDSTONE ARSENAL HUNTSVILLE ALABAMA 35898 |
| 1028349 | FEDS | DRAWN BY P. BECK | DATE 12/02/07 |
| 1026957 | | CHECKED BY D. ATWOOD | DATE 12/02/07 |
| | | PREPARED BY R. KNIGHT | |
| APPLICATION | | APPROVED BY | TITLE LED SWITCH WITH PIGTAIL |
| | | SCALE 3:1 | DWG. NO. 1028450 |
| | | | REV --01 |
| | | | SHEET 1 OF 2 |

CAD MAINTAINED. CHANGES SHALL BE
INCORPORATED BY THE DESIGN ACTIVITY.

| ZONE | REV. | DESCRIPTION | DATE | APPROVED |
|------|------|-------------|------|----------|
| | | | | |
| | | | | |

| Item | Army P/N | Assy P/N | Switch P/N | Switch/Ind Action, Circuitry | Lens Assembly with PN Film | Lens Notes | LED COLORS | Film Legend Line 1 | Film Legend Line 2 | Film Legend Center | Qty | LED (Qty) | Total |
|-------|------------|-------------|------------|--|----------------------------|---------------------------|------------|--------------------|--------------------|--------------------|-----|-----------|-------|
| 1 | 1028450-1 | SW44823-101 | SW44823-11 | momentary switch, 1PDT (no click), Black Lens Base | SW44823-814-101 | Quad Light no barriers | GWWG | DYNOLUBE | PUMP | | 1 | 4 | 4 |
| 2 | 1028450-2 | SW44823-102 | SW44823-11 | momentary switch, 1PDT (no click), Black Lens Base | SW44823-814-102 | Quad Light no barriers | GWWG | DYNOLUBE | HEATER | | 1 | 4 | 4 |
| 3 | 1028450-3 | SW44823-103 | SW44823-11 | momentary switch, 1PDT (no click), Black Lens Base | SW44823-814-103 | Quad Light no barriers | GWWG | DYNOLUBE | COOLER | | 1 | 4 | 4 |
| 4 | 1028450-4 | SW44823-104 | SW44823-11 | momentary switch, 1PDT (no click), Black Lens Base | SW44823-814-104 | Quad Light no barriers | GWWG | | | 400 Hz | 1 | 4 | 4 |
| 5 | 1028450-5 | SW44823-105 | SW44823-11 | momentary switch, 1PDT (no click), Black Lens Base | SW44823-815-105 | Quad Light Horiz. Barrier | GWWG | PRIMARY | RVRSNRY | | 1 | 4 | 4 |
| 6 | 1028450-6 | SW44823-106 | SW44823-11 | momentary switch, 1PDT (no click), Black Lens Base | SW44823-814-106 | Quad Light no barriers | GWWG | ROLLBACK | ACTIVATE | | 1 | 4 | 4 |
| 7 | 1028450-7 | SW44823-107 | SW44823-11 | momentary switch, 1PDT (no click), Black Lens Base | SW44823-814-107 | Quad Light no barriers | GWWG | ROLLBACK | RESET | | 1 | 4 | 4 |
| 8 | 1028450-8 | SW44823-108 | SW44823-11 | momentary switch, 1PDT (no click), Black Lens Base | SW44823-814-108 | Quad Light no barriers | GWWG | COMPSTBL | VALVE | | 1 | 4 | 4 |
| 9 | 1028450-9 | SW44823-109 | SW44823-11 | momentary switch, 1PDT (no click), Black Lens Base | SW44823-814-109 | Quad Light no barriers | GWWG | FADEC | POWER | | 1 | 4 | 4 |
| 10 | 1028450-10 | SW44823-110 | SW44823-11 | momentary switch, 1PDT (no click), Black Lens Base | SW44823-814-110 | Quad Light no barriers | GWWG | EMERGNCY | POWER | | 1 | 4 | 4 |
| 11 | 1028450-11 | SW44823-111 | SW44823-11 | momentary switch, 1PDT (no click), Black Lens Base | SW44823-814-111 | Quad Light no barriers | GWWG | C/P | INC | | 1 | 4 | 4 |
| 12 | 1028450-12 | SW44823-112 | SW44823-11 | momentary switch, 1PDT (no click), Black Lens Base | SW44823-814-112 | Quad Light no barriers | GWWG | N2SET/NP | INC | | 1 | 4 | 4 |
| 13 | 1028450-13 | SW44823-113 | SW44823-11 | momentary switch, 1PDT (no click), Black Lens Base | SW44823-814-113 | Quad Light no barriers | GWWG | | | STARTER | 2 | 4 | 8 |
| 14 | 1028450-14 | SW44823-114 | SW44823-11 | momentary switch, 1PDT (no click), Black Lens Base | SW44823-814-114 | Quad Light no barriers | GWWG | | | IGNITION | 1 | 4 | 4 |
| 15 | 1028450-15 | SW44823-115 | SW44823-11 | momentary switch, 1PDT (no click), Black Lens Base | SW44823-814-115 | Quad Light no barriers | GWWG | FUEL | PUMP | | 1 | 4 | 4 |
| 16 | 1028450-16 | SW44823-116 | SW44823-11 | momentary switch, 1PDT (no click), Black Lens Base | SW44823-814-116 | Quad Light no barriers | GWWG | TRAILER | FUEL VLV | | 1 | 4 | 4 |
| 17 | 1028450-17 | SW44823-117 | SW44823-11 | momentary switch, 1PDT (no click), Black Lens Base | SW44823-814-117 | Quad Light no barriers | GWWG | OVRSPPEED | A | | 1 | 4 | 4 |
| 18 | 1028450-18 | SW44823-118 | SW44823-11 | momentary switch, 1PDT (no click), Black Lens Base | SW44823-814-118 | Quad Light no barriers | GWWG | OVRSPPEED | B | | 1 | 4 | 4 |
| 19 | 1028450-19 | SW44823-119 | SW44823-11 | momentary switch, 1PDT (no click), Black Lens Base | SW44823-815-119 | Quad Light Horiz. Barrier | GWWG | TQ RUN | TQ T/S | | 1 | 4 | 4 |
| 20 | 1028450-20 | SW44823-120 | SW44823-11 | momentary switch, 1PDT (no click), Black Lens Base | SW44823-814-120 | Quad Light no barriers | GWWG | ANTI-ICE | VALVE | | 1 | 4 | 4 |
| 21 | 1028450-21 | SW44823-121 | SW44823-11 | momentary switch, 1PDT (no click), Black Lens Base | SW44823-814-121 | Quad Light no barriers | GWWG | | | OVRSPPEED | 1 | 4 | 4 |
| 22 | 1028450-22 | SW44823-122 | SW44823-11 | momentary switch, 1PDT (no click), Black Lens Base | SW44823-814-122 | Quad Light no barriers | GWWG | POWER | ASSRNC | | 1 | 4 | 4 |
| 23 | 1028450-23 | SW44823-123 | SW44823-11 | momentary switch, 1PDT (no click), Black Lens Base | SW44823-814-123 | Quad Light no barriers | GWWG | C/P | DEC | | 1 | 4 | 4 |
| 24 | 1028450-24 | SW44823-124 | SW44823-11 | momentary switch, 1PDT (no click), Black Lens Base | SW44823-814-124 | Quad Light no barriers | GWWG | N2SET/NP | DEC | | 1 | 4 | 4 |
| 25 | 1028450-25 | SW44823-125 | SW44823-11 | momentary switch, 1PDT (no click), Black Lens Base | SW44823-814-125 | Quad Light no barriers | GWWG | LIMIT | RESET | | 3 | 4 | 12 |
| 26 | 1028450-26 | SW44823-126 | SW44823-11 | momentary switch, 1PDT (no click), Black Lens Base | SW44823-814-126 | Quad Light no barriers | GWWG | SET | HIGH | | 2 | 4 | 8 |
| 27 | 1028450-27 | SW44823-127 | SW44823-11 | momentary switch, 1PDT (no click), Black Lens Base | SW44823-814-127 | Quad Light no barriers | GWWG | SET | LOW | | 2 | 4 | 8 |
| 28 | 1028450-28 | SW44823-128 | SW44823-11 | momentary switch, 1PDT (no click), Black Lens Base | SW44823-815-128 | Quad Light Horiz. Barrier | GWWG | COURSE | FINE | | 4 | 4 | 16 |
| 29 | 1028450-29 | SW44823-129 | SW44823-11 | momentary switch, 1PDT (no click), Black Lens Base | SW44823-814-129 | Quad Light no barriers | GWWG | | | ECL | 1 | 4 | 4 |
| 30 | 1028450-30 | SW44823-130 | SW44823-11 | momentary switch, 1PDT (no click), Black Lens Base | SW44823-814-130 | Quad Light no barriers | GWWG | | | PAS | 1 | 4 | 4 |
| 31 | 1028450-31 | SW44823-131 | SW44823-11 | momentary switch, 1PDT (no click), Black Lens Base | SW44823-814-131 | Quad Light no barriers | GWWG | | | LDS | 1 | 4 | 4 |
| 32 | 1028450-32 | SW44823-132 | SW44823-11 | momentary switch, 1PDT (no click), Black Lens Base | SW44823-814-132 | Quad Light no barriers | GWWG | DYNO | INC | | 1 | 4 | 4 |
| 33 | 1028450-33 | SW44823-133 | SW44823-11 | momentary switch, 1PDT (no click), Black Lens Base | SW44823-814-133 | Quad Light no barriers | GWWG | DYNO | DEC | | 1 | 4 | 4 |
| 34 | 1028450-34 | SW44823-134 | SW44823-11 | momentary switch, 1PDT (no click), Black Lens Base | SW44823-814-134 | Quad Light no barriers | GWWG | | | DYNO | 1 | 4 | 4 |
| Total | | | | | | | | | | | 42 | | |

DISTRIBUTION STATEMENT A, UNLIMITED