



hall effect switch+potentiometer

Features

- ◆ compact combination switch
- ◆ SPST, NO, hall effect IC switch
- ◆ <1" behind panel depth
- ◆ 100K potentiometer value
- ◆ 1/2" square body size
- ◆ front facing PC pins

Electro-Mech Announces Its Compact Potentiometer Switch

The hall-effect switch + potentiometer assembly offers the advantages of both digital and rotary control in a compact size for audio volume preset in avionics cockpit applications. Illumination of the edgelit knob is via an edgelit panel. Front facing PC pins allow unit to be mounted from behind the panel.

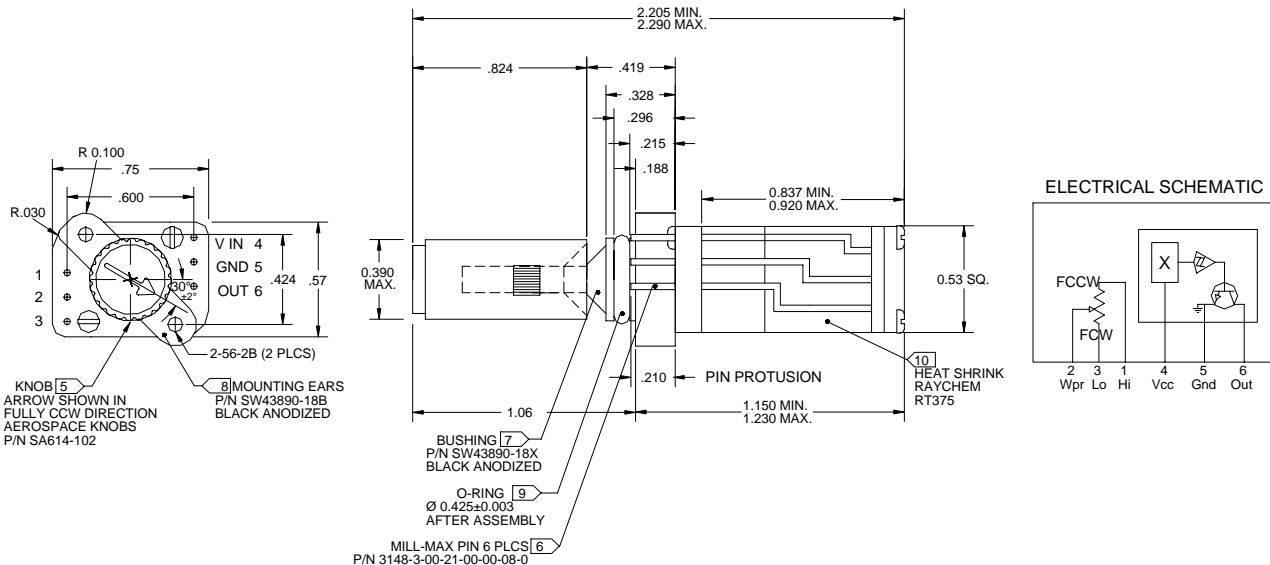


Specifications (drawing SW44109 REV B):

Weight: 1.0 ounce maximum
 Operating Temperature: -40°C to +95°C
 Operating Pressure: 35 ± 5 ounces
 Switch Travel: 0.060 nominal
 Actuations: 100,000 minimum
 Switch Action: snap-feel momentary
 Potentiometer: 100K linear (S) taper (can be specified)
 Mechanical Rotation: 295°

IC supply voltage: 3.8vdc minimum
 IC supply current: 5mA maximum
 Note: Edgelit knob is supplied with this assembly.

Specifications (drawing SW44109 REV B) (not to scale):



Electro-Mech Components, Inc. ♦ 888/442-7180 ♦ 626/442-7180 ♦ Fax 626/350-8070
 1826 Floradale Avenue ♦ South El Monte, CA 91733-3689 USA ♦ Email Info@electromechcomp.com
 web: www.electromechcomp.com