



# hall effect switch+potentiometer

## Features

- ◆ compact combination switch
- ◆ SPST, NO, hall effect IC switch
- ◆ <1" behind panel depth
- ◆ 10K potentiometer value
- ◆ 1/2" square body size

## Electro-Mech Announces Its Compact Potentiometer Switch

The hall effect potentiometer switch offers the advantages of both digital and rotary control in a compact size for audio volume preset in avionics cockpit applications. Illumination of the edgelit knob (optional) is via an edgelit panel.



### Specifications (drawing SW43655 REV C):

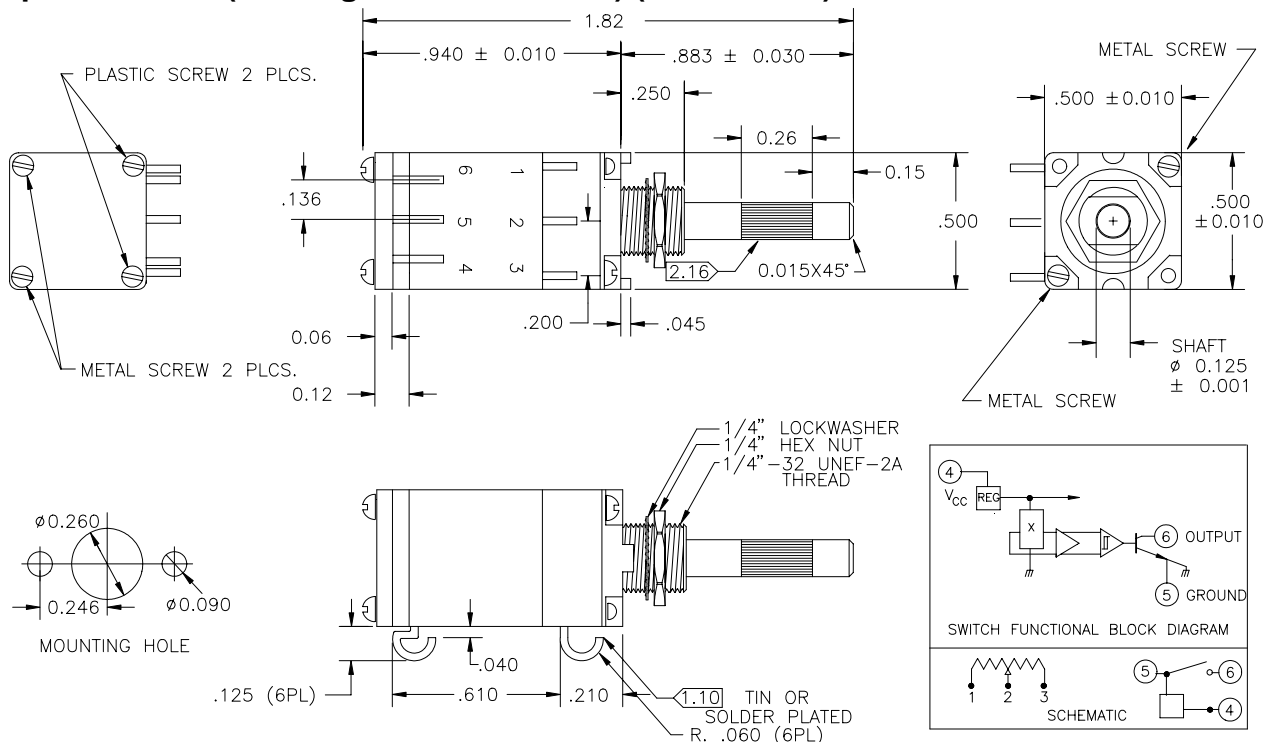
Weight: 0.3 oz. (approx.)  
 Operating Temperature: -40C to +95C  
 Operating Pressure: 35 oz. ± 5 oz.  
 Switch Travel: 0.060 (approx.)  
 Actuations: 100,000 minimum  
 Switch Action: snap-feel momentary

Potentiometer: 10K linear (S) taper (can be specified)  
 Mechanical Rotation: 295 degrees

IC supply voltage: 3.8vdc minimum  
 IC supply current: 5mA maximum

*Note: edgelit knob can be supplied with assembly.  
 It is supplied separately on this particular configuration.*

### Specifications (drawing SW43655 REV C) (not to scale):



**electro-mech** components, inc. ♦ 888/442-7180 ♦ 626/442-7180 ♦ Fax 626/350-8070  
 1826 Floradale Avenue ♦ South El Monte, CA 91733-3689 USA ♦ email info@electromechcomp.com  
 web: www.electromechcomp.com