

# Series S520

## Subminiature Snap Action Momentary Switch

Illuminated and Non-Illuminated Models



- \* Compact design requires only 3/4" behind panel
- \* SPST, N.O., Momentary
- \* Easy lamp replacement from front
- \* T-1 sub-midget flange-based bulb or LED enhanced by replaceable lens covers available in standard EMC colors\*
- \* Sealed models available

Ideally suited for a wide range of uses, particularly in aircraft and avionics applications such as cockpit and passenger seating unit (PSU) light indicators, or any high-density display requirement, the Series S520 offers a miniature, easy-to-install unit with excellent reliability characteristics. The compact design requires only 3/4" depth behind front panels, and bulb or LED replacement can be completed from the front.

Featuring momentary snap action, SPST, with a T-1 (3mm) sub-midget flange-based bulb or LED, lighting intensity and color is enhanced with the unit's choice of standard, 1/4 inch diameter replaceable lens buttons which are available in standard EMC colors: amber, blue, green, red, white, yellow, orange and black (non-lit). The unlighted version meets MIL-S-8805/64 requirements. An optional environmental sealed design is available.

electro-mech

[www.electromechcomp.com](http://www.electromechcomp.com)

# Series S520

## Subminiature Snap Action Momentary Switch Illuminated and Non-Illuminated Models



Formerly manufactured as Pendar/Clare Pendar and General Instruments S520. Series S520 models can be provided with wire leads, ribbon cable or direct-mount PCB pins. For non-illuminated Series S510, contact factory for applicable custom drawing(s).

### Specifications:

Ratings:	30 volts DC or 125 volts AC; 1a resistive, 0.5a inductive
Operating Pressure:	24 oz. ± 8 oz. (680g ± 226g)
Plunger Travel:	0.070 nominal (1.8mm)
Actuations:	100,000 minimum
Contacts:	Silver plated (gold plating optional)
Terminals:	Standard EMC solder lug. Accepts two 20 AWG wires.
Switch type:	Momentary snap-feel, SPST, 1 N.O. circuit, illuminated, base is sealed to case.
Lens:	Accommodates 0.25" (6.4mm) dia. lens. For lens colors, see Ordering Information.
Lamp or LED:	Accommodates a T-1 (3mm) sub-midget flange base lamp or LED. None supplied. Lamp circuit is independent.

### Ordering Information:

Order as drawing number SW43877c  
where "c" indicates lens color as in table.

Example: SW43877A (S52010A)  
Specifies part number SW43877 with amber lens.

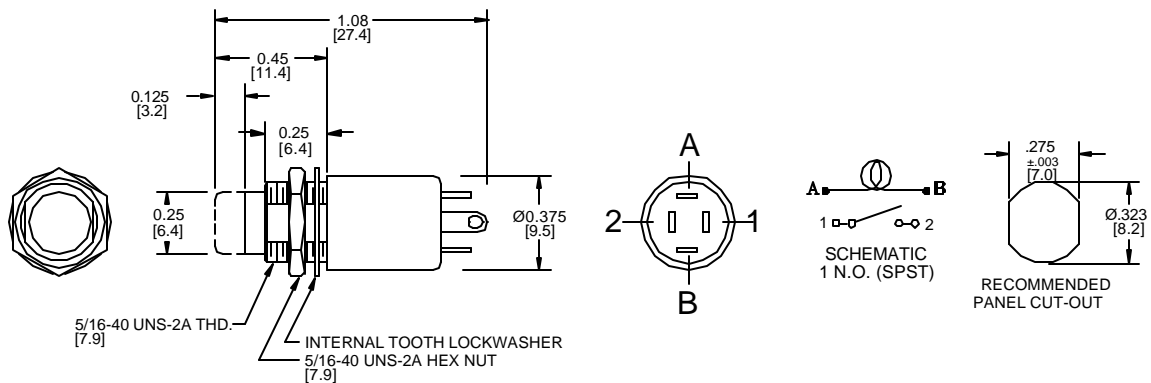
Please contact factory for other options and modifications.

### Ordering Information - Lens Colors:

Code	Color
A	Amber
B	Blue
G	Green
G(DK)	Green, Dark
R	Red
W	White
Y	Yellow

Example: SW43877A (S52010A)  
Specifies part number SW43877 with amber lens

### Drawing SW43877 (S52010) (not to scale)



Electro-Mech Components, Inc. • (626) 442-7180 • (888) 442-7180 • Fax: (626) 350-8070  
1826 Floradale Avenue • South El Monte, CA 91733-3689 USA  
Email: info@electromechcomp.com • Web: www.electromechcomp.com

Specifications subject to change without notice.  
Trademarks are the property of their respective companies.  
S520 10/2002