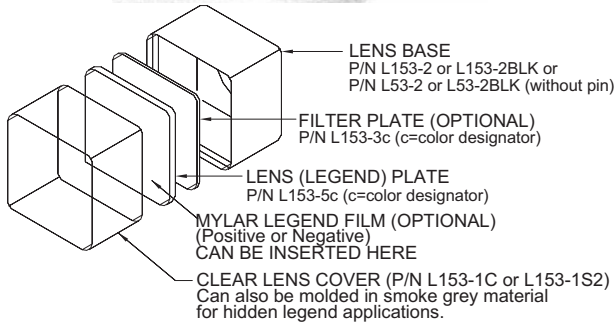
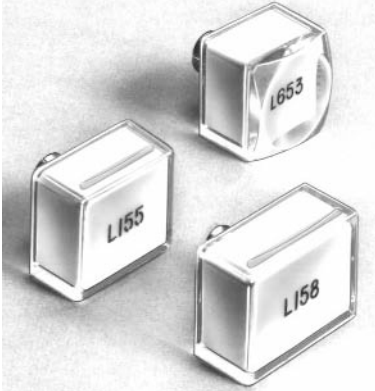


# Series L150

## Replaceable Legend Lenses and Filters Pushbutton Lenses Single Lamp/LED



**ELECTRO-MECH**  
COMPONENTS



### Applications

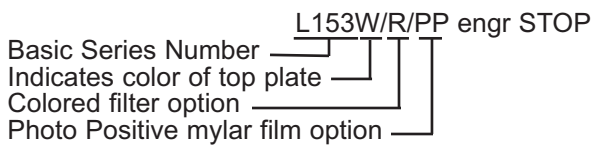
Versatile interchangeability with other switch models, choice of color and engravings and non-wearing, clear, acrylic design enables wide-ranging uses of the Electro-Mech Series L150 Replaceable Legend Lens. Lenses may be ordered with a variety of options including clear, frosted or smoke grey top lens cap, and photo positive or negative mylar film legending. Available for most EMC switches.

### Description

Electro-Mech Series L150 Replaceable Legend Lenses are essentially non-wearing, utilizing a GE Lexan™ molded top over cap which protects lens legend. Engravings or films on face of lens display are protected by the lens cover. Opaque sides prevent light spill-over. Filters may be specified in a variety of colors. Legends are replaceable enabling display changes and ultimately broader usage and flexibility of the same basic switch or indicator light across several applications. Translucent lens plate conceals color filter until lamp/LED is illuminated. All lenses accommodate one T 1-3/4 midget flange based lamp or LED. Lenses are removeable from the front panel for re-lamping.

### Part Number Options:

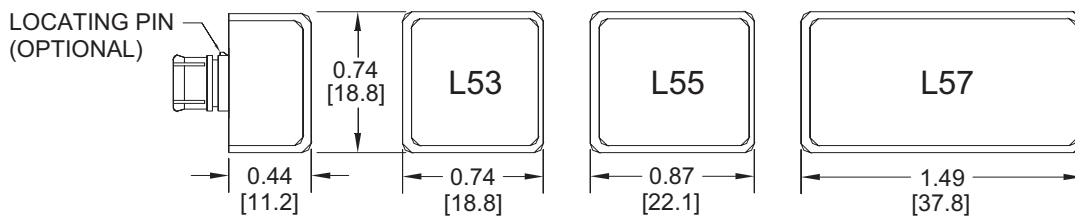
Series L150 lenses may be ordered with the following lens options. Specify desired lens engraving and special requirements when ordering. Special colors are available.



### Ordering Information:

With Locating Pin	Without Locating Pin	Surface Dimension
L153c	L53c	0.74" square
L155c	L55c	0.74" x 0.87"
L157c	L57c	0.74" x 1.49"
L158c	L58c	0.74" x 0.99"
L653c	L1653c	0.74" sq., contour
c=color designation <u>under</u> clear cap (e.g. L153G)		

### Series L150 (not to scale):



**electro-mech**

www.electromechcomp.com

info@electromechcomp.com

1826 Floradale Avenue • South El Monte, CA 91733-3689 USA \* (626) 442-7180 \* (888) 442-7180 \* Fax (626) 350-8070