

Series 600/800

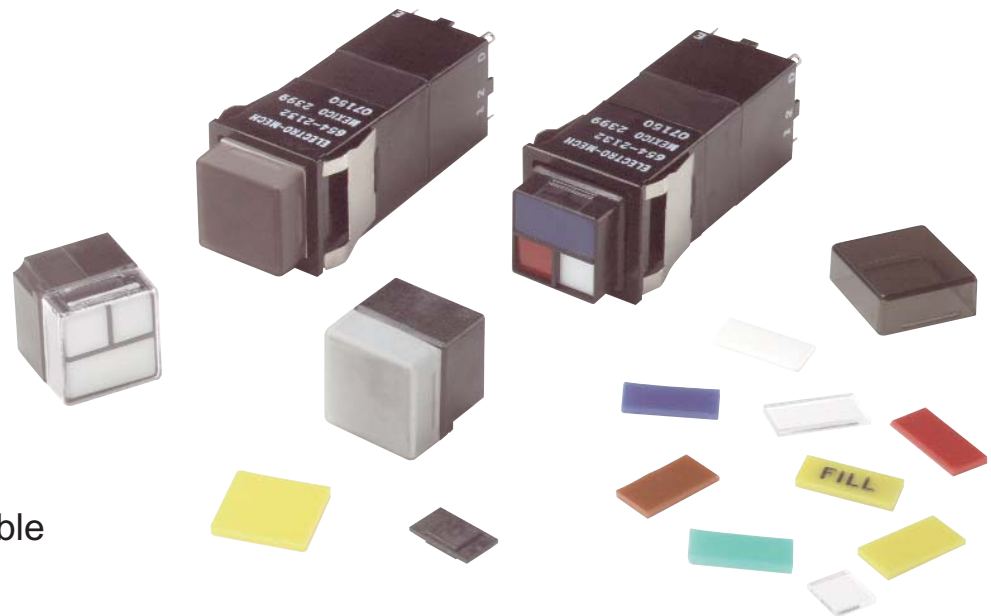


Multi-Image

3/4" Square or 3/4" x 7/8" Rectangular

Lighted Pushbutton Switches

Page 1 of 5



- Single Module, Multi-Image Display Design Saves Valuable Panel Space
- Horizontal & Vertical Split Screen Images
- Easy Snap-In Installation, Replaceable Lenses/Filters
- SPST - 6PDT Switching Functions

Ideal for a variety of applications where several switching functions or status indicators are needed, the Series 600/800 provides remarkable display versatility and multi-lamp/LED redundancy. These compact, low-profile switches can be specified for exacting requirements in both switch function, versatility of lens and legend displays. For added flexibility, legends, filters, and colors can be easily changed in the field.

Series 600 (3/4" square) and Series 800 (3/4" x 7/8" rectangular) units can be specified in singular or multiple switch circuit functions from SPST to 6PDT, with momentary or alternate action switching actions. Independent circuitry increases reliability and a unitized, insulated housing assures proper insulation. Models may be specified with a choice of 2 or 4 lamps or LED's. An optional clear lens cover protects and enhances replaceable filters. Units snap-in from front of panel with a low-profile flush bezel or dividing barriers. Hidden legends also available.

electro-mech

www.electromechcomp.com

Series 600/800



Multi-Image

3/4" Square or 3/4" x 7/8" Rectangular Lighted Pushbutton Switches

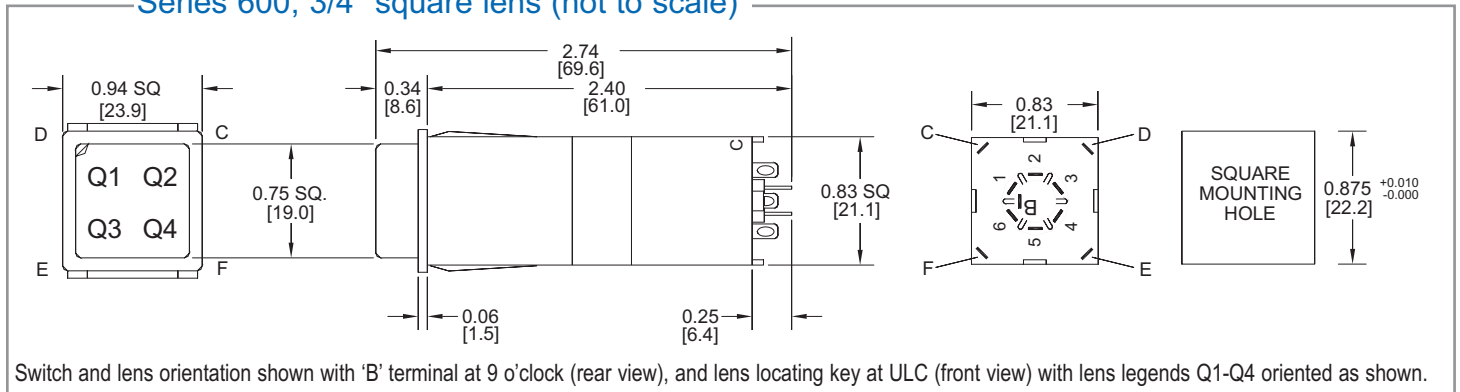


Specifications:

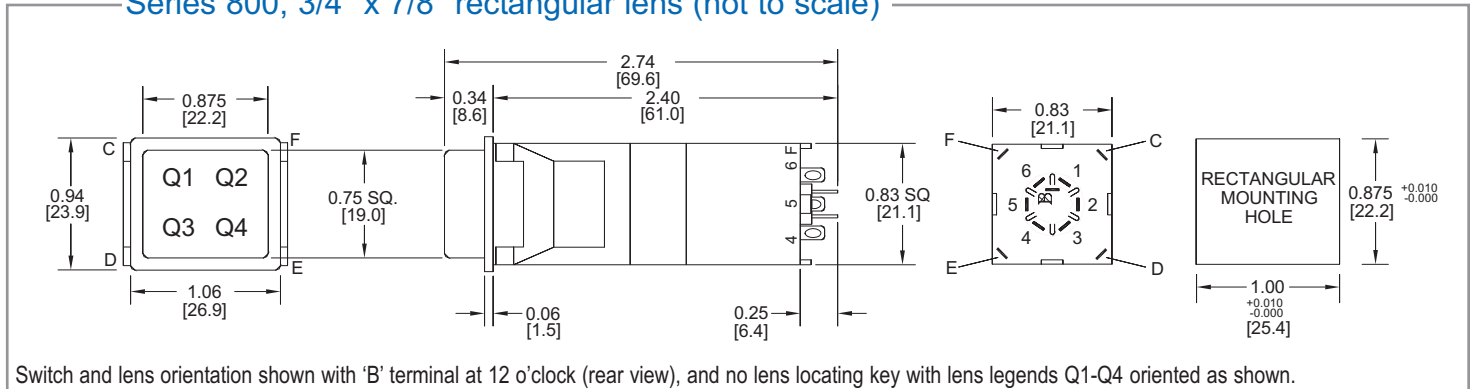
Ratings:	30 volts DC or 125 volts AC, 2.0A res., 0.5A ind.
Life:	100,000 cycles minimum
Weight:	0.8 oz. (23 g) (max.)
Operating Pressure:	2 lbs. \pm 1 lbs. (908g \pm 454g)
Plunger Travel:	0.187" (4.7mm) (approx.)
Terminals:	EMC solder lug terminals. Accepts two 20 AWG wires. PC pins or pigtailed also available.
Pushbutton Lenses:	See part number table (2x or 4x lamp/LED).
Lamps:	Lens accommodates two or four T-1-3/4 (5mm) MFB lamps or LED's. P/N must be specified.
LED's:	Polarity must be specified; see schem. page 3.

Warning: Illuminating 3 or all 4 lamps at one time will create excessive heat and may melt lens base. LED's recommended.

Series 600, 3/4" square lens (not to scale)



Series 800, 3/4" x 7/8" rectangular lens (not to scale)

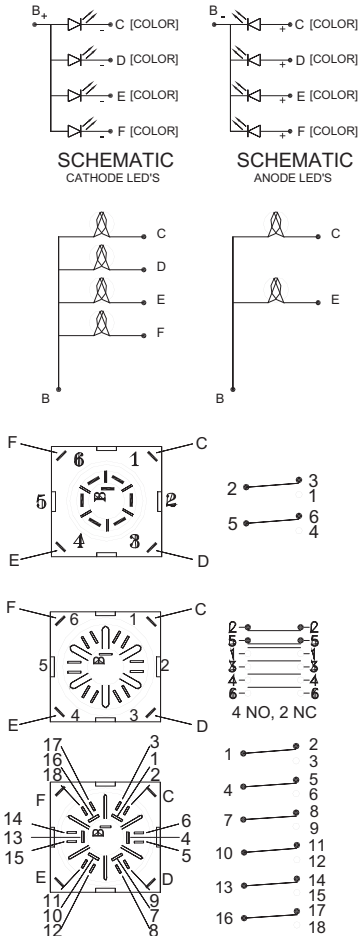


Electro-Mech Components, Inc. • (626) 442-7180 • (888) 442-7180 • Fax (626) 350-8070
 1826 Floradale Avenue • South El Monte, CA 91733-3689 USA
 Email: info@electromechcomp.com • Web: www.electromechcomp.com

Series 600/800

Multi-Image

3/4" Square or 3/4" x 7/8" Rectangular
Lighted Pushbutton Switches



Lens Option Description	3/4" Sq. Horizontal Key ULC*	3/4" Sq. Vertical Key URC*	3/4" x 7/8" Rectangular No Key
Dual light with no barriers	L811	L851	L831
Dual light with horizontal barrier	L812	L852	L832
Dual light with vertical barrier	L813	L853	L833
Quad light with no barriers	L814	L854	L834
Quad light with horizontal barrier	L815	L855	L835
Quad light with horizontal barrier plus vertical barrier in top half	L816	L856	L836
Quad light with horizontal barrier plus vertical barrier in bottom half	L817	L857	L837
Quad light with horizontal and vertical barriers	L818	L858	L838
Quad light with vertical barrier	L819	L859	839
Quad light with vertical barrier plus horizontal barrier in left half	L820	L860	L840
Quad light with vertical barrier plus horizontal barrier in right half	L821	L861	L841

*ULC = upper lefthand corner, horizontal mount; URC = upper right-hand corner, vertical mount.

Specifying Series 600/800 Dual and Quad Lamp Lens Filters and Legends:

1. Specify lens part number from table above. (If lens assembly will accommodate MFB Based LEDs, add a '2' after the L8.. (e.g. L8211C) as the lens assembly will be built with two internal L814-3 lamp retainer clips).

2a. If replaceable legend lens is required, specify "C" (clear), "F" (frosted), "S1" (smoke grey, glossy finish) or "S2" (smoke grey, with sand blasted finish). This cap will be removeable and legend and filter plates can be changed.

2b. If non-replaceable legend lens is required, specify "W" (white) or other color code (R, B, etc.). Lens cap will be epoxied to lens base.

3. Standard lens base is white. To order black, specify "black base." (Often used with PN/hidden legend appearance.)

4. Specify photo positive (PP) or photo negative (PN) lens legends after lens cap designation.

5. Specify all four quadrants of the lens assembly regardless of lens part number. The four quadrants are specified 1,2 across the top and 3,4 across the bottom. The four color codes before the slash are the non-illuminated lens color in the replaceable legend lens assembly. After the slash, the color codes are the filter colors. If no filter required, specify "CCCC".

Examples: L812W-RRGG/CCCC L815C/PP-GGWW/CCCC engr CKT A, CKT B
L838F-WRGY/YCCC L812S2/PN-WWWW/CCCC blk base engr READY, CAUTION

We have created many custom lenses including hidden legends, photo positive and negative legend films, and matte finishes. Please contact us regarding your specific requirements. (600-800 7/2015)

electro-mech

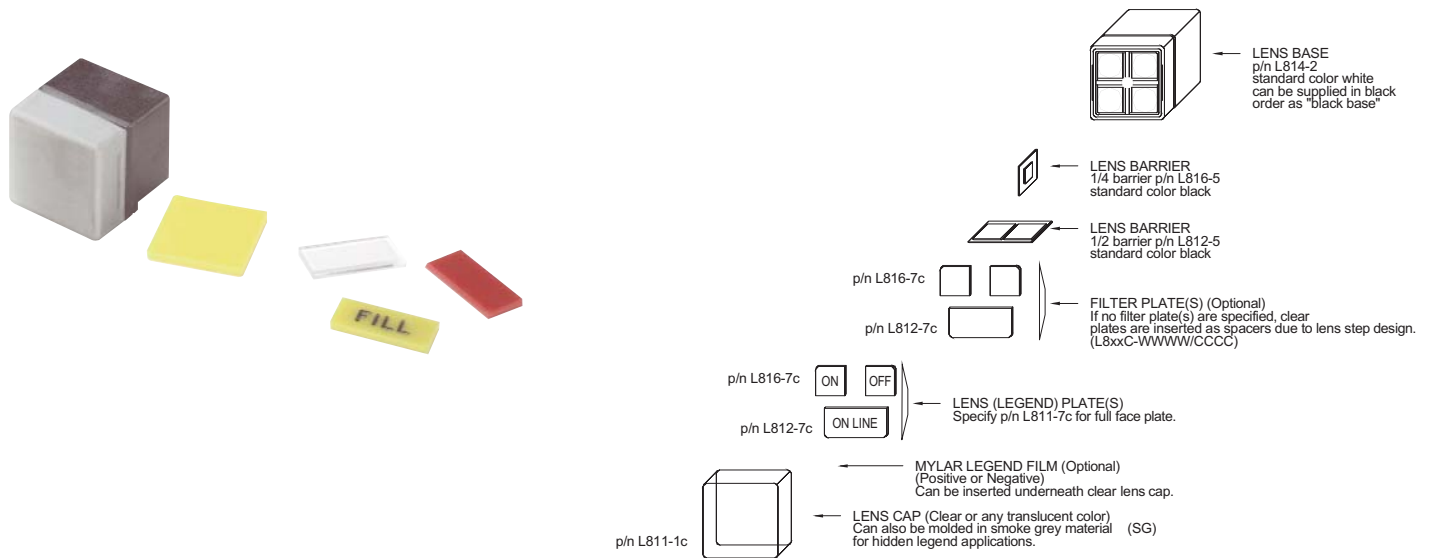
600/800 Series

Multi-Image

3/4" Square or 3/4" x 7/8" Rectangular Lighted Pushbutton Switches

INTERCHANGEABLE LEGENDS/FILTERS

Series 600/800 models may be specified with standard lenses shown on Page 3 of 4 or these replaceable lens/filters for added versatility.



Ordering Information:

Sample Part Number:

	654	-	2128,	L815C	-	WWRR / GGCC,	D387
Basic Series 600 (6) or 800 (8)	_____	_____	_____	_____	_____	_____	_____
Mounting bezel options: 5, 7, or 8	_____	_____	_____	_____	_____	_____	_____
Specify dual lamp (3) or quad lamp (4)	_____	_____	_____	_____	_____	_____	_____
Switch action/number of circuits	_____	_____	_____	_____	_____	_____	_____
See Series 2100 or Series 2600; use same 4 digit identification (page 5)	_____	_____	_____	_____	_____	_____	_____
Lens part number - see table Page 3 of 4	_____	_____	_____	_____	_____	_____	_____
First letter after lens number indicates top cap material (C, F, S1, S2, W, *)	_____	_____	_____	_____	_____	_____	_____
Specify four lens segments - material color on top lens layer	_____	_____	_____	_____	_____	_____	_____
Specify four lens segments - material color on bottom lens layer	_____	_____	_____	_____	_____	_____	_____
Lamp or LED part number	_____	_____	_____	_____	_____	_____	_____



Electro-Mech Components, Inc. • (626) 442-7180 • (888) 442-7180 • Fax (626) 350-8070
 1826 Floradale Avenue • South El Monte, CA 91733-3689 USA
 Email: info@electromechcomp.com • Web: www.electromechcomp.com

600/800 Series

Multi-Image

3/4" Square or 3/4" x 7/8" Rectangular

Lighted Pushbutton Switches

Part Number Table: Circuitry SPST-2PDT:

Action	— SPST —		2PST			1PDT	2PDT	Notes:
	1N.O.	1N.C.	2N.O.	2N.C.	1N.O.			
Momentary	2128	2129	2130	2131	2132	2149	2150	Artificial click in momentary travel.
Snap Feel Momentary	2428	2429	2430	2431	2432	2449	2450	
Push-On/Push-Off	2228	2229	2230	2231	2232	2249	2250	Button is physically depressed in down position. See schematic below for terminal location.
Push-On/Remain-In/ Push-Off	2328	2329	2330	2331	2332	2349	2350	
Terminals Used:	1-2	2-3	1-2, 4-5	2-3, 5-6	1-2, 5-6	1-2-3	1-2-3, 4-5-6	

Part Number Table: Circuitry 3PST-6PDT:

Snap Feel	Momentary	Push-On	Push-Off	Circuitry	Normally Open	Normally Closed
Momentary		Push-Off	Remain-In		Terminals	Terminals
		Push-Off	Push-Off			
2530	2630	2730	2830	2PST - 2 N.O.	2, 5	-
2531	2631	2731	2831	2PST - 2 N.C.	-	2, 5
2532	2632	2732	2832	2PST - 1 N.O., 1 N.C.	2	5
2533	2633	2733	2833	3PST - 3 N.O.	2, 4, 6	-
2534	2634	2734	2834	3PST - 3 N.C.	-	2, 4, 6
2535	2635	2735	2835	3PST - 1 N.O., 2 N.C.	2	4, 6
2536	2636	2736	2836	3PST - 2 N.O., 1 N.C.	2, 4	6
2537	2637	2737	2837	4PST - 4 N.O.	1, 2, 4, 5	-
2538	2638	2738	2838	4PST - 4 N.C.	-	1, 2, 4, 5
2539	2639	2739	2839	4PST - 1 N.O., 3 N.C.	1	2, 4, 5
2540	2640	2740	2840	4PST - 2 N.O., 2 N.C.	2, 4	1, 5
2541	2641	2741	2841	4PST - 3 N.O., 1 N.C.	1, 2, 4	5
2542	2642	2742	2842	6PST - 6 N.O.	1, 2, 3, 4, 5, 6	-
2543	2643	2743	2843	6PST - 6 N.C.	-	1, 2, 3, 4, 5, 6
2544	2644	2744	2844	6PST - 1 N.O., 5 N.C.	1	2, 3, 4, 5, 6
2545	2645	2745	2845	6PST - 2 N.O., 4 N.C.	2, 5	1, 3, 4, 6
2546	2646	2746	2846	6PST - 3 N.O., 3 N.C.	2, 4, 6	1, 3, 5
2547	2647	2747	2847	6PST - 4 N.O., 2 N.C.	1, 3, 4, 6	2, 5
2548	2648	2748	2848	6PST - 5 N.O., 1 N.C.	2, 3, 4, 5, 6	1
Terminals used						
2550	2650	2750	2850	2PDT	4, 5, 6	13, 14, 15
2551	2651	2751	2851	3PDT	1, 2, 3	7, 8, 9
2552	2652	2752	2852	4PDT	1, 2, 3	4, 5, 6
2553	2653	2753	2853	5PDT	1, 2, 3	4, 5, 6
2554	2654	2754	2854	6PDT	1, 2, 3	4, 5, 6
						7, 8, 9
						10, 11, 12
						13, 14, 15
						16, 17, 18

For non-illuminated version, specify the digit "1" in the first position (e.g. 1652).