

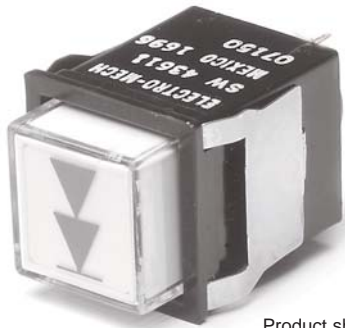
Series 65-210 & 73-210

Front Panel Mount Indicator Lights

Square and Rectangular Bezel Housing



ELECTRO-MECH
COMPONENTS



Product shown is similar to:
P/N 65CS-210,L53W



Product shown is similar to:
P/N 73HM-210,L67R

Model 65-210

Available in two mounting styles:

“CS” = snap in from front of the panel with Clip Springs
sample part number: 65CS-210,L63R

“HM” = mounts from back of the panel, and is attached to the panel by a U-shaped bracket and 2 screws
e.g. 65HM-210,L53W or just 65-210,L53W

Mounting Hole: 0.875” square (+0.010/-0.000)

CS: Standard “CS” for panels up to 0.125” thick

CSZ: For panels 0.125-0.250, specify “CSZ”

Material: Black GE Lexan (also available in white or grey)

Lens: Accepts EMC L53* or L63* size pushbutton lens

Lamp: Lens accepts one T 1-3/4 (5mm) mfb lamp or LED

Model 73-210

Available in two mounting styles:

“CS” = snap in from front of the panel with Clip Springs
sample part number: 73CS-210,L63R

“HM” = mounts from back of the panel, and is attached to the panel by a U-shaped bracket and 2 screws
e.g. 73HM-210,L57W or just 73-210,L57W

Mtg Hole: 1.625 (+0.010/-0.000) x 0.875 (+0.010/-0.000)

CS: Standard “CS” for panels up to 0.125” thick

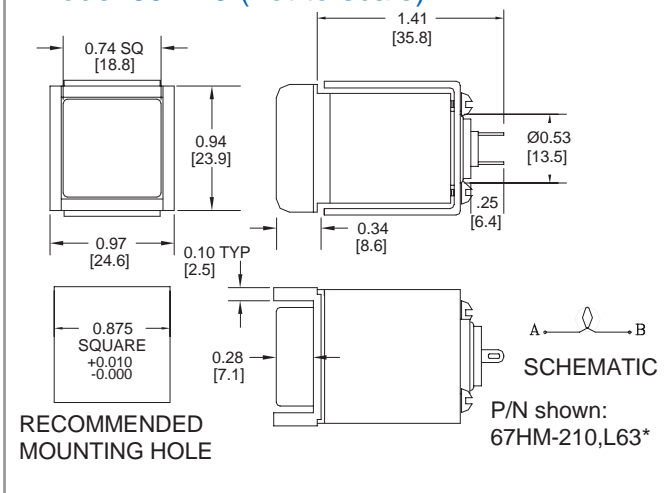
CSZ: For panels 0.125-0.250, specify “CSZ”

Material: Black GE Lexan (also available in white or grey)

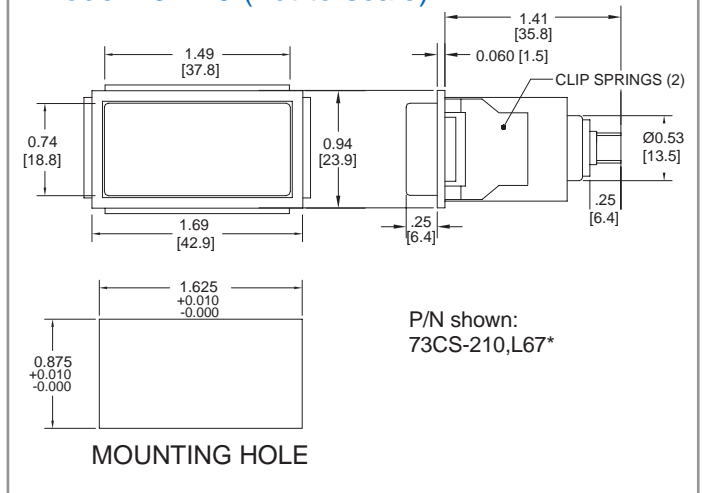
Lens: Accepts EMC L57* or L67* size pushbutton lens

Lamp: Lens accepts one T 1-3/4 (5mm) mfb lamp or LED

Model 65-210 (not to scale):



Model 73-210 (not to scale):



electro-mech



www.electromechcomp.com

info@electromechcomp.com

1826 Floradale Avenue • South El Monte, CA 91733-3689 USA * (626) 442-7180 * (888) 442-7180 * Fax (626) 350-8070