

Series 6100

Front Panel Mount, SPST-2PDT Pushbutton Switch

Illuminated, Short Housing



ELECTRO-MECH
COMPONENTS

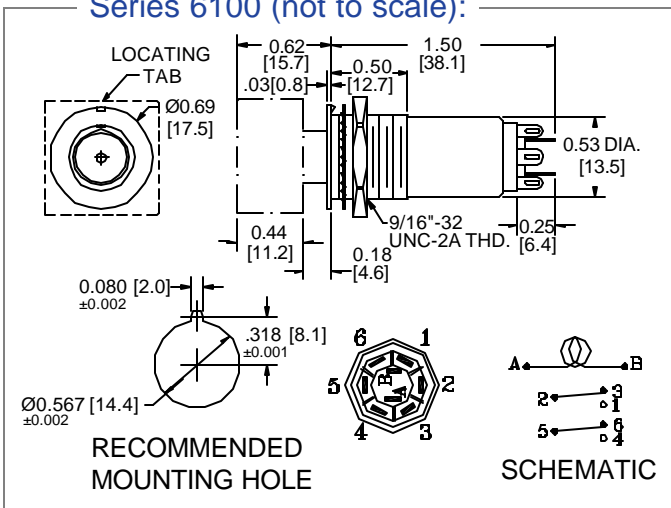


- * Short housing requires <math><1.50''</math> behind panel
- * Momentary or alternate action switching
- * High density 3/4" centers mounting available
- * Accommodates full selection of EMC lenses

The Electro-Mech Series 6100 Lighted Pushbutton Switch provides momentary or alternate action switching modes in a compact, 1.50" behind the panel housing, saving up to 25% of usually required space needed by other popular models. High density mounting is also capable side by side on 3/4" centers with an optional round slotted nut.

Positive action, reliable circuitry, and proven low-bounce characteristics are offered in this fully enclosed aluminum housing design, ideal for tight packaging requirements and keyboard matrix assemblies. Standard models are supplied with slide-action, silver contact circuitry usually found only in larger units. Gold plated contacts can be specified for dry circuit applications.

Series 6100 (not to scale):



Specifications:

Ratings:	30 volts DC or 125 volts AC; 2.0A resistive, 0.5A inductive
Weight:	0.5 oz. (14g) (approx.)
Operating Pressure:	8 oz. \pm 4 oz. (228g \pm 114g) (mom) 24 oz. \pm 8 oz. (684g \pm 228g) (alt)
Plunger Travel:	0.140 \pm 0.010 (3.56 \pm 0.25mm)
Actuations:	100,000 minimum
Contacts:	Silver plated (gold plating optional)
Terminals:	Standard EMC solder lug. Accepts two 20 AWG wires. PC pin terminals also available.
Lens:	Accommodates any EMC lens cap, any EMC color.
Lamp or LED:	Accommodates one T 1-3/4 (5mm) midget flange base lamp or LED. Lamp circuit is independent.

High Density Panel Mounting: Series 6100 switches may be mounted on 3/4" centers by specifying the "AF" modification code to include a 9/16"-32 round slotted nut. Ordering example: 6250AF.

Printed Circuit Board Terminals: Applications requiring direct mounting to a PC board may be specified with modification code "PC" for PC pins (custom EMC pin-out). Ordering example: 6128PC.

Part Number Table:

	— SPST —		— 2PST —				
	1N.O.	1N.C.	2N.O.	2N.C.	1N.C.	1PDT	2PDT
Momentary	6128	6129	6130	6131	6132	6149	6150
Push-On/Push-Off	6228	6229	6230	6231	6232	6249	6250
Push-On/R-/Push-Off	6328	6329	6330	6331	6332	6349	6350
Mom. Snap Feel	6428	6429	6430	6431	6432	6449	6450

6100 04/2003

electro-mech



www.electromechcomp.com

info@electromechcomp.com

1826 Floradale Avenue • South El Monte, CA 91733-3689 USA * (626) 442-7180 * (888) 442-7180 * Fax (626) 350-8070