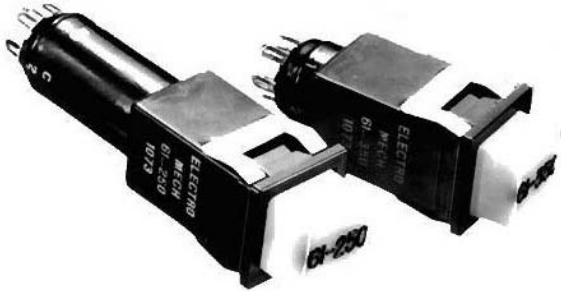


Series 61

Front Panel Mount, SPST-2PDT Pushbutton Switch Illuminated, 1/2" Square Lens

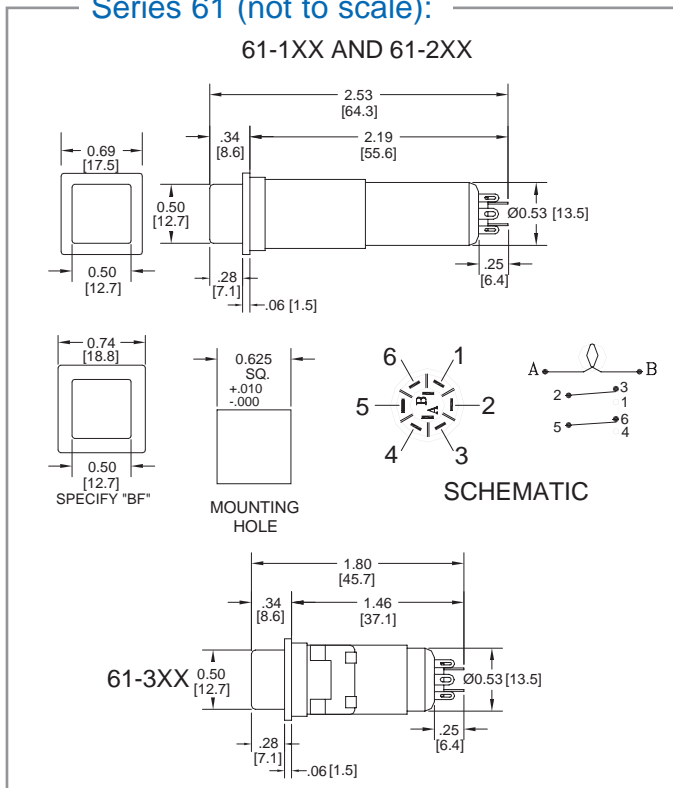


ELECTRO-MECH
COMPONENTS



- * Full sized displays in compact size
- * Momentary or alternate action switching
- * SPST - 2PDT with independent lamp circuitry
- * Accommodates 1/2" square EMC lens

Series 61 (not to scale):



The Electro-Mech Series 61 switches are provided in 1/2" square (lens), snap-in or hardmount configurations. Each low profile unit features a silhouetted appearance and is available in any switch circuitry SPST-2PDT, each controlled with independent circuitry for reliability. The all plastic, unitized housing assures easy handling and helps insulate the switch from other surrounding components. The Series 61 is also available in standard PC pins for direct mounting to PCB. Mounting hardware is with either aluminum Clip Springs (CS) or hardmount backup channel (HM).

Specifications:

Ratings:	30 volts DC or 125 volts AC; 2.0A resistive, 0.5A inductive
Weight:	0.5 oz. (14g) (approx.)
Operating Pressure:	9 oz.± 4 oz. (256g ± 114g) (mom)(-3xx) 20 oz.± 8 oz. (570g ± 228g) (mom)(-1xx) 20 oz.± 8 oz. (570g ± 228g) (alt)(-2xx)
Plunger Travel:	0.190 ± 0.010 (4.82 ± 0.25mm)(-1xx,-2xx) 0.100 ± 0.010 (2.54 ± 0.25mm)(-3xx)
Actuations:	100,000 minimum
Contacts:	Silver plated (gold plating optional)
Terminals:	Standard EMC solder lug. Accepts two 20 AWG wires. PC pin terminals also available.
Lens:	Accommodates 1/2" square EMC lens, any EMC color (p/n L61c).
Lamp or LED:	Accommodates one T 1-3/4 (5mm) midget flange base lamp or LED. Lamp circuit is independent.
Flange:	Standard is 0.69" (17.5mm) square. Specify "BF" (Big Flange) for 0.74" square.

Optional Front Panel Mounting: Series 61 switches may be mounted with either: CS = clip springs for push in mounting HM = hardmount back up channel which attaches from the rear of the panel.

Printed Circuit Board Terminals: Applications requiring direct mounting to a PC board may be specified with modification code "PC" for PC pins (custom EMC pin-out). Example: 61-328PC.

Matching Indicators: Specify 61CS-210

Part Number Table:

	— SPST —		— 2PST —				
	1N.O.	1N.C.	2N.O.	2N.C.	1N.C.	1PDT	2PDT
Momentary	61-128	61-129	61-130	61-131	61-132	61-149	61-150
Push-On/Push-Off	61-228	61-229	61-230	61-231	61-232	61-249	61-250
Momentary, Short	61-328	61-329	61-330	61-331	61-332	61-349	61-350

61 10/2003

electro-mech



www.electromechcomp.com

info@electromechcomp.com

1826 Floradale Avenue • South El Monte, CA 91733-3689 USA * (626) 442-7180 * (888) 442-7180 * Fax (626) 350-8070