

Series 60

Front Panel Mount, SPST-2PDT Pushbutton Switch

Illuminated, Unitized Plastic Housing



ELECTRO-MECH
COMPONENTS



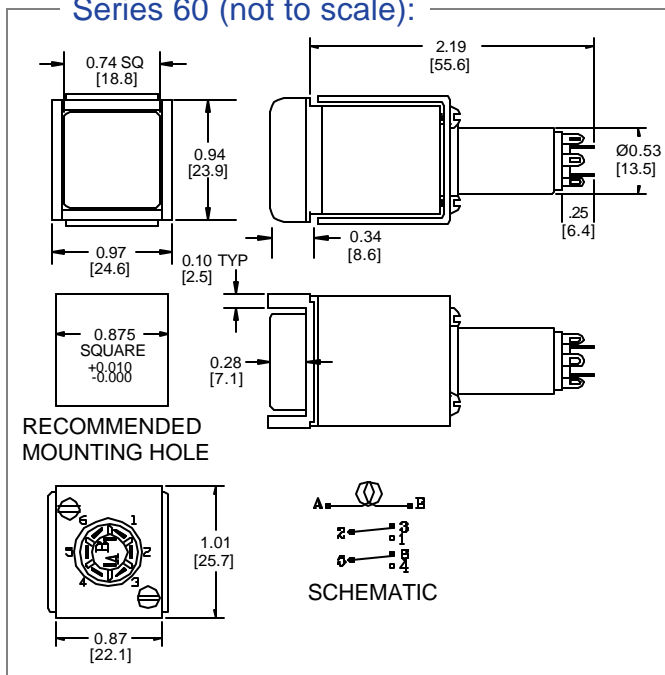
P/N 67LGCS-230PC,
L63R engr STOP (white fill)

OPTIONAL LENS
GUARD SHOWN

- * Front panel mount with backup or clip springs
- * Momentary or alternate action switching
- * High density 7/8" centers mounting available
- * Accommodates 3/4" square EMC lenses
- * Protective Lens Guard (LG) available on 67-

The Series 60 Lighted Pushbutton Switch features Electro-Mech's Series 2100 switch incorporated as an integral part of the mounting hardware, with no metal case. This switch is designed for mounting from the front of the panel into a standard "hard mount" fixture, a "U" shaped bracket which is quickly fastened to the back of the panel with two mounting screws. Snap in mounting using two aluminum clip springs is also available (specify modification code "CS", e.g. 65CS-150). Twist lock pins are also available in place of threaded screws (specify "TL", e.g. 65TL-228).

Series 60 (not to scale):



- Adapter options:
- | | |
|--------|----------------------|
| 65-xxx | No barriers/ears |
| 67-xxx | Double barriers/ears |
| 68-xxx | Single barrier/ear |

Specifications:

Ratings:	30 volts DC or 125 volts AC; 2.0A resistive, 0.5A inductive
Weight:	0.8 oz. (22g) (approx.)
Operating Pressure:	2 lbs. ± 1 lb. (454g ± 227g)
Plunger Travel:	0.187 approx. (25.4mm)
Actuations:	100,000 minimum
Contacts:	Silver plated (gold plating optional)
Terminals:	Standard EMC solder lug. Accepts two 20 AWG wires. PC pin terminals also available.
Lens:	Accommodates 3/4" square lens, p/n L63 or L53, any EMC color.
Lamp or LED:	Accommodates one T 1-3/4 (5mm) midget flange base lamp or LED. Lamp circuit is independent.

Part Number Table:

	— SPST —		— 2PST —				
	1N.O.	1N.C.	2N.O.	2N.C.	1N.C.	1PDT	2PDT
Momentary	6x-128	6x-129	6x-130	6x-131	6x-132	6x-149	6x-150
Push-On/Push-Off	6x-228	6x-229	6x-230	6x-231	6x-232	6x-249	6x-250
Momentary, Short	6x-328	6x-329	6x-330	6x-331	6x-332	6x-349	6x-350
Mom. Non-Illuminated	6x-428	6x-429	6x-430	6x-431	6x-432	6x-449	6x-450

High Density Panel Mounting: Series 60 switches may be mounted on 7/8" centers by ordering a series of 67- and 68- parts and installing in one rectangular mounting hole ((N x 7/8)" wide by 0.875" high).

Printed Circuit Board Terminals: Applications requiring direct mounting to a PC board may be specified with modification code "PC" for PC pins (custom EMC pin-out). Ordering example: 65-128PC.

60 05/2003

electro-mech



www.electromechcomp.com

info@electromechcomp.com

1826 Floradale Avenue • South El Monte, CA 91733-3689 USA * (626) 442-7180 * (888) 442-7180 * Fax (626) 350-8070

Series 60

Front Panel Mount, 3PST-6PDT Pushbutton Switch

Illuminated, Unitized Plastic Housing



ELECTRO-MECH
COMPONENTS



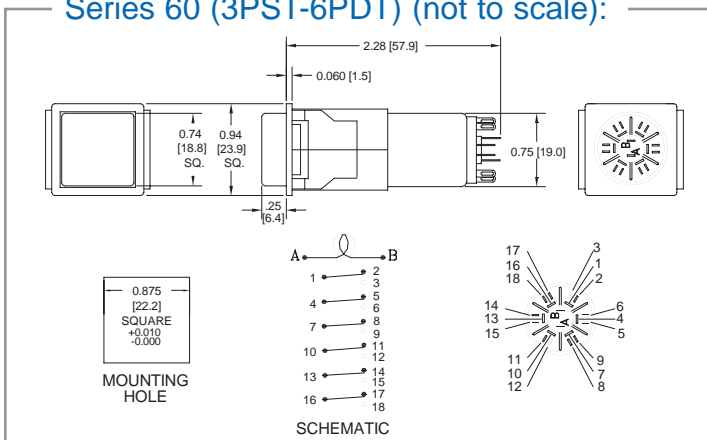
P/N 67CS-837,L63R-FG

- * Front panel mount with backup or clip springs
- * Momentary or alternate action switching
- * High density 7/8" centers mounting available
- * Accomodates 3/4" square EMC lenses
- * Protective Lens Guard (LG) available on 67-

The Series 60 Lighted Pushbutton Switch features Electro-Mech's Series 2100 switch incorporated as an integral part of the mounting hardware, with no metal case. This switch is designed for mounting from the front of the panel into a standard "hard mount" fixture, a "U" shaped bracket which is quickly fastened to the back of the panel with two mounting screws. Snap in mounting using two aluminum clip springs is also available (specify modification code "CS", e.g. 65CS-654). Twist lock pins are also available in place of threaded screws (specify "TL", e.g. 65TL-730).

For circuitry SPST-DPDT, please refer to Series 60, page 1.

Series 60 (3PST-6PDT) (not to scale):



Part Number Table:

S. Feel	Psh-On	PO/RI		
Mom.	Mom.	Psh-Off	Psh-Off	Circuitry
6x-530	6x-630	6x-730	6x-732	2PST - 2 N.O.
6x-531	6x-631	6x-731	6x-831	2PST - 2 N.C.
6x-532	6x-632	6x-732	6x-832	2PST - 1 N.O., 1 N.C.
6x-533	6x-633	6x-733	6x-833	3PST - 3 N.O.
6x-534	6x-634	6x-734	6x-834	3PST - 3 N.C.
6x-535	6x-635	6x-735	6x-835	3PST - 1 N.O., 2 N.C.
6x-536	6x-636	6x-736	6x-836	3PST - 2 N.O., 1 N.C.
6x-537	6x-637	6x-737	6x-837	4PST - 4 N.O.
6x-538	6x-638	6x-738	6x-838	4PST - 4 N.C.
6x-539	6x-639	6x-739	6x-839	4PST - 1 N.O., 3 N.C.
6x-540	6x-640	6x-740	6x-840	4PST - 2 N.O., 2 N.C.
6x-541	6x-641	6x-741	6x-841	4PST - 3 N.O., 1 N.C.
6x-542	6x-642	6x-742	6x-842	6PST - 6 N.O.
6x-543	6x-643	6x-743	6x-843	6PST - 6 N.C.
6x-544	6x-644	6x-744	6x-844	6PST - 1 N.O., 5 N.C.
6x-545	6x-645	6x-745	6x-845	6PST - 2 N.O., 4 N.C.
6x-546	6x-646	6x-746	6x-846	6PST - 3 N.O., 3 N.C.
6x-547	6x-647	6x-747	6x-847	6PST - 4 N.O., 2 N.C.
6x-548	6x-648	6x-748	6x-848	6PST - 5 N.O., 1 N.C.
6x-550	6x-650	6x-750	6x-850	2PDT
6x-551	6x-651	6x-751	6x-851	3PDT
6x-552	6x-652	6x-752	6x-852	4PDT
6x-553	6x-653	6x-753	6x-853	5PDT
6x-554	6x-654	6x-754	6x-854	6PDT

* For terminals used, see Series 2600, page 3 of 3.

Specifications:

Ratings:	30 volts DC or 125 volts AC; 2.0A resistive, 0.5A inductive
Weight:	0.8 oz. (22g) (approx.)
Operating Pressure:	2 lbs. ± 1 lb. (454g ± 227g)
Plunger Travel:	0.187 approx. (25.4mm)
Actuations:	100,000 minimum
Contacts:	Silver plated (gold plating optional)
Terminals:	Standard EMC solder lug. Accepts two 20 AWG wires. PC pin terminals also available.
Lens:	Accommodates 3/4" square lens, p/n L63 or L53, any EMC color.
Lamp or LED:	Accommodates one T 1-3/4 (5mm) midget flange base lamp or LED. Lamp circuit is independent.

electro-mech



Series 60-350

Front Panel Mount, SPST-2PDT Momentary Pushbutton Switch

Illuminated or Non-Illuminated, Unitized Plastic Housing



ELECTRO-MECH
COMPONENTS

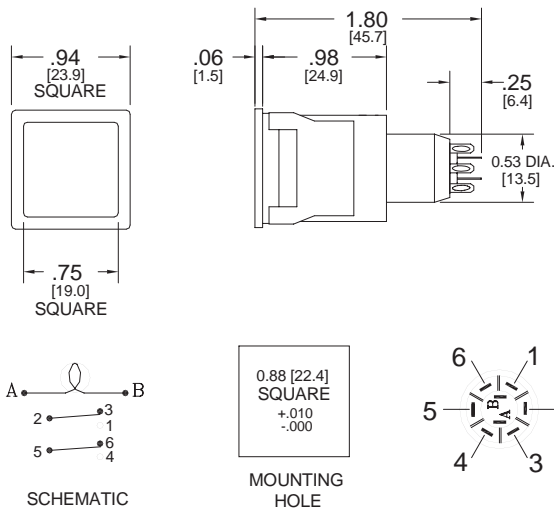


P/N 65ELCS-350,L63R
EL option = flush mount lens

- * Front panel mount with backup or clip springs
- * Momentary switching only
- * High density 7/8" centers mounting available
- * Accommodates 3/4" square EMC lenses
- * 9 ounces operating pressure

The Series 60-350 is a shorter behind panel length than the EMC Series 60. The switch is designed for mounting from the front of the panel into a standard "hard mount" fixture, a "U" shaped bracket which is quickly fastened to the back of the panel with two mounting screws. Snap in mounting using two aluminum clip springs is also available (specify modification code "CS", e.g. 65CS-150). Switches can be individually mounted or, in the case of the 67- and 68- configurations, can be stacked in a row. Mounting hole for stacking: width is 0.875, length is 0.875 x # of switches.

Series 60-350 (not to scale):



- Adapter options:
- | | |
|--------|----------------------|
| 65-xxx | No barriers/ears |
| 67-xxx | Double barriers/ears |
| 68-xxx | Single barrier/ear |

Note: Hardmount standard. For Clip Springs, specify "CS"

Specifications:

Ratings:	30 volts DC or 125 volts AC; 2.0A resistive, 0.5A inductive
Weight:	0.8 oz. (22g) (approx.)
Operating Pressure:	12 oz.+ 4 oz. (340g ± 113g)
Plunger Travel:	0.100 approx. (2.5mm)
Actuations:	100,000 minimum
Contacts:	Silver plated (gold plating optional)
Terminals:	Standard EMC solder lug. Accepts two 20 AWG wires. PC pin terminals also available.
Lens:	Accommodates 3/4" square lens, p/n L63 or L53, any EMC color.
Lamp or LED:	Accommodates one T 1-3/4 (5mm) midget flange base lamp or LED. Lamp circuit is independent.

High Density Panel Mounting: Series 60 switches may be mounted on 7/8" centers by ordering a series of 67- and 68- parts and installing in one rectangular mounting hole ((N x 7/8)" wide by 0.875" high).

Printed Circuit Board Terminals: Applications requiring direct mounting to a PC board may be specified with modification code "PC" for PC pins (custom EMC pin-out). Ordering example: 65-128PC.

60-350 07/2003

Part Number Table:

	— SPST —		— 2PST —				
	1N.O.	1N.C.	2N.O.	2N.C.	1N.C.	1PDT	2PDT
<u>Illuminated</u>							
No Barrier	65-328	65-329	65-330	65-331	65-332	65-349	65-350
Double Barrier	67-328	67-329	67-330	67-331	67-332	67-349	67-350
Single Barrier	68-328	68-329	68-330	68-331	68-332	68-349	68-350
<u>Non-Illuminated</u>							
No Barrier	65-428	65-429	65-430	65-431	65-432	65-449	65-450
Double Barrier	67-428	67-429	67-430	67-431	67-432	67-449	67-450
Single Barrier	68-428	68-429	68-430	68-431	68-432	68-449	68-450

electro-mech



www.electromechcomp.com

info@electromechcomp.com

1826 Floradale Avenue • South El Monte, CA 91733-3689 USA * (626) 442-7180 * (888) 442-7180 * Fax (626) 350-8070