

# Series 5100

## Front Panel Mount, SPST-2PDT Momentary Pushbutton Switch Illuminated and Non-Illuminated Models



**ELECTRO-MECH**  
COMPONENTS

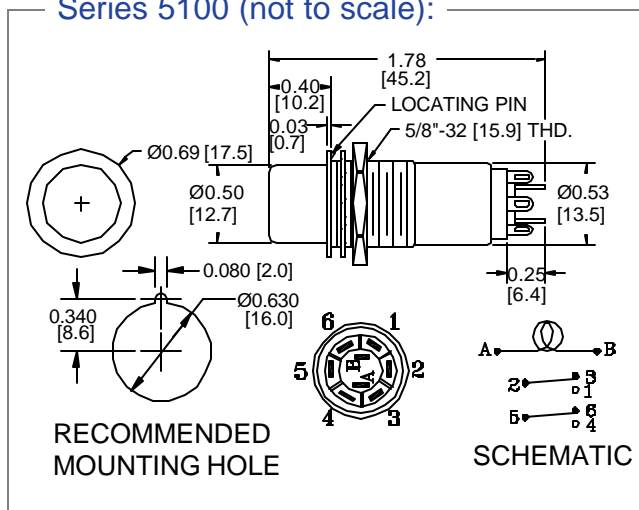
- \* Short housing requires <1.38" behind panel
- \* Momentary switching
- \* Recessed lens design
- \* Light operating pressure
- \* Accommodates 0.50" [12.7] dia. round lens



The Electro-Mech Series 5100 provides momentary switching in a compact, 1.375" behind the panel housing, saving up to 25% of usually required space needed by other popular models. These small switches are ideal for keyboard matrix assemblies and with their new recessed lens they offer even greater compactness and beauty.

Positive action, reliable circuitry, and proven low-bounce characteristics are offered in this fully enclosed aluminum housing design, ideal for tight packaging requirements and keyboard assemblies. Standard models are supplied with slide-action silver contact circuitry usually found in larger units. Gold plated contacts can be supplied for dry circuit applications.

Series 5100 (not to scale):



### Specifications:

Ratings:	30 volts DC or 125 volts AC; 2.0A resistive, 0.5A inductive
Weight:	0.8 oz. (23g) (approx.)
Operating Pressure:	8 oz. ± 4 oz. (228g ± 114g)
Plunger Travel:	0.100 nominal (2.54mm)
Actuations:	100,000 minimum
Contacts:	Silver plated (gold plating optional)
Terminals:	Standard EMC solder lug. Accepts two 20 AWG wires. PC pin terminals also available.
Lens:	Accommodates p/n L121, 1/2" dia. lens cap, any EMC color.
Lamp or LED:	Accommodates one T 1-3/4 (5mm) midget flange base lamp or LED. Lamp circuit is independent.

### Part Number Table:

	— SPST —		— 2PST —				
	1N.O.	1N.C.	2N.O.	2N.C.	1N.C.	1PDT	2PDT
Illuminated	5128	5129	5130	5131	5132	5149	5150
Non-Illuminated	5228	5229	5230	5231	5232	5249	5250

**Printed Circuit Board Terminals:**  
Applications requiring direct mounting to a PC board may be specified with modification code PC for PC pins (custom EMC pin-out). Ordering example: 5150PC.

5100 03/2003

**electro-mech**



www.electromechcomp.com

info@electromechcomp.com

1826 Floradale Avenue • South El Monte, CA 91733-3689 USA \* (626) 442-7180 \* (888) 442-7180 \* Fax (626) 350-8070