

# SW44217 / SW44220

## Front Panel Mount, SPST-2PDT Quad Lamp/LED Pushbutton Switch with Split Legend Lenses



**ELECTRO-MECH**  
COMPONENTS



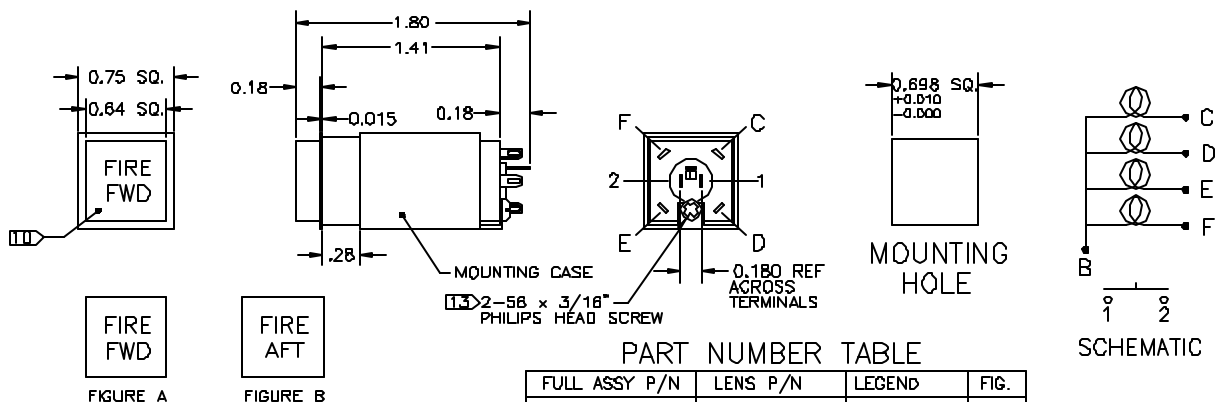
- \* 0.698" sq. mounting hole size
- \* Momentary or alternate action switching
- \* Hidden legend and split legend lenses
- \* Accommodates up to four T-1 lamps or LED's

The Electro-Mech SW44217 and SW44220 Series of pushbutton switches offer maximum lamp / LED redundancy and brightness. The switches are ideally suited for use as warning lights in industrial and avionics displays, audio controls, instrument panel controls, and other high density panel applications where high illumination and reliability are critical requirements.

### Specifications:

Ratings:	30 volts DC or 125 volts AC; 2.0A resistive, 0.5A inductive
Weight:	0.8 oz. (23 g) (approx.)
Operating Pressure:	32 oz. ± 8 oz. (908g ± 227g)
Plunger Travel:	0.100 nominal (2.5mm)
Actuations:	100,000 minimum
Contacts:	Gold plated (SW44220).
Terminals:	Standard EMC solder lug. Accepts two 20 AWG wires. PC pin terminals also available.
Lens:	Accommodates EMC Series 644 lens. See SW44220 drawing.
Lamp or LED:	Accommodates up to four T-1 (3mm) sub midget flange based lamps or LED's. Lamp circuits are independent (one common).

### SW44220 (not to scale):



PART NUMBER TABLE			
FULL ASSY P/N	LENS P/N	LEGEND	FIG.
SW44220-0011	SW44220-111	FIRE / FWD	A
SW44220-0012	SW44220-112	FIRE / AFT	B

electro-mech



www.electromechcomp.com

info@electromechcomp.com

1826 Floradale Avenue • South El Monte, CA 91733-3689 USA \* (626) 442-7180 \* (888) 442-7180 \* Fax (626) 350-8070