

SW44687

SPDT Circuitry

Edgelit Potentiometer+Switch

Compact Combination Switch with Integrated Microswitch



ELECTRO-MECH
COMPONENTS



- ♦ Compact size <1.25" behind panel depth
- ♦ Edgelit knob (optional) for edgelit panel
- ♦ Momentary snap-click feel with SPDT circuitry
- ♦ Rotary potentiometer + pushbutton switch

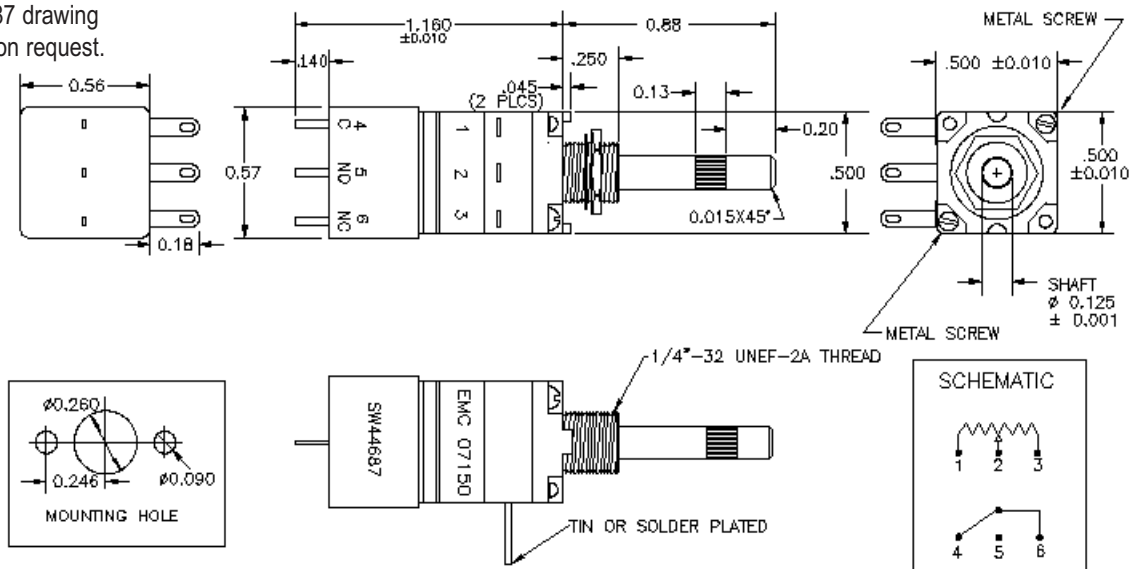
Electro-Mech has introduced its SW44687 potentiometer+switch assembly with both rotary and push-on switch functionality for maximum operational control. The SPDT device offers a rotary potentiometer with 10K-ohm resistance, an edgelit knob, and integrated micro-switch long life and reliability. Assembly measures less than 1.25" behind panel depth.

Specifications:

Ratings:	0.10A at 30 volts DC
Operating Pressure:	45 oz. \pm 8 oz.
Weight:	0.5 oz. (14 g) (approx.)
Switch Action:	Momentary Snap-Click
Actuations:	100,000 minimum at rated load
Contacts:	Silver plated (gold plated contacts available)
Terminals:	Switch circuit pins are PC pins; Potentiometer circuit is solder lug terminals (PC pin optional)
Illumination:	Designed to include edgelit knob for installation into edgelit panel

SW44687 (not to scale):

Full SW44687 drawing available upon request.



electro-mech

www.electromechcomp.com

info@electromechcomp.com

1826 Floradale Avenue • South El Monte, CA 91733-3689 USA * (626) 442-7180 * (888) 442-7180 * Fax (626) 350-8070