

SW44635

SPDT-DPDT Circuitry

LED Back Lit Potentiometer+Switch

Built-in LED's eliminate need for edgelit panel light source



ELECTRO-MECH
COMPONENTS



- ♦ Built-in LED's eliminate need for edgelit panel
- ♦ Standard LED colors available
- ♦ Momentary or alternate action switching
- ♦ Rotary potentiometer + pushbutton switch

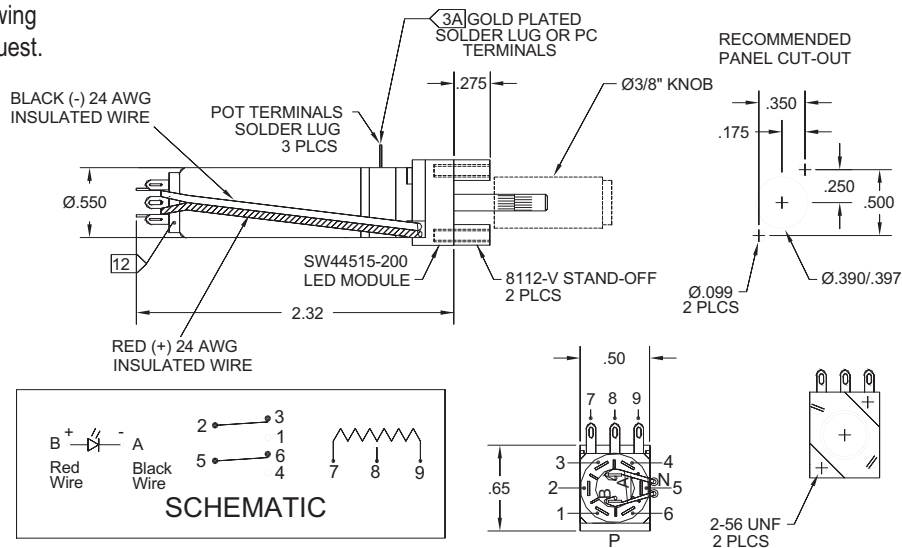
Electro-Mech has introduced its SW44635 enhanced backlit potentiometer switch with both rotary and push-on/push-off functionality plus LED backlighting for maximum operational control. The SPDT-DPDT device offers a rotary potentiometer with 10K-ohm resistance, two superbright discrete LED's in a variety of colors, a translucent knob, and eliminates the need for an edgelit panel light source.

Specifications:

Ratings:	30 volts DC or 125 volts AC; 2.0A resistive, 0.5A inductive
Operating Pressure:	32 oz. \pm 16 oz.
Weight:	0.5 oz. (14 g) (approx.)
Switch Action:	Momentary or Alternate Action (SW44635 is alternate action)
Actuations:	100,000 minimum
Contacts:	Silver plated (gold plated contacts available)
Terminals:	Standard EMC solder lug. Accepts two 20 AWG wires. PC pin terminals also available.
Illumination:	Dual LED's mounted in opposite corners; Colors: red, orange, yellow, blue, green, white
LED V+:	Operating voltage may be specified (2, 6, 12, 14, 24, and 28)

SW44635 (not to scale):

Full SW44635 drawing available upon request.



electro-mech

www.electromechcomp.com

info@electromechcomp.com

1826 Floradale Avenue • South El Monte, CA 91733-3689 USA * (626) 442-7180 * (888) 442-7180 * Fax (626) 350-8070