

SW44585

SPST Circuitry

Tactile Feel Potentiometer+Switch

Compact Behind Panel Depth



ELECTRO-MECH
COMPONENTS



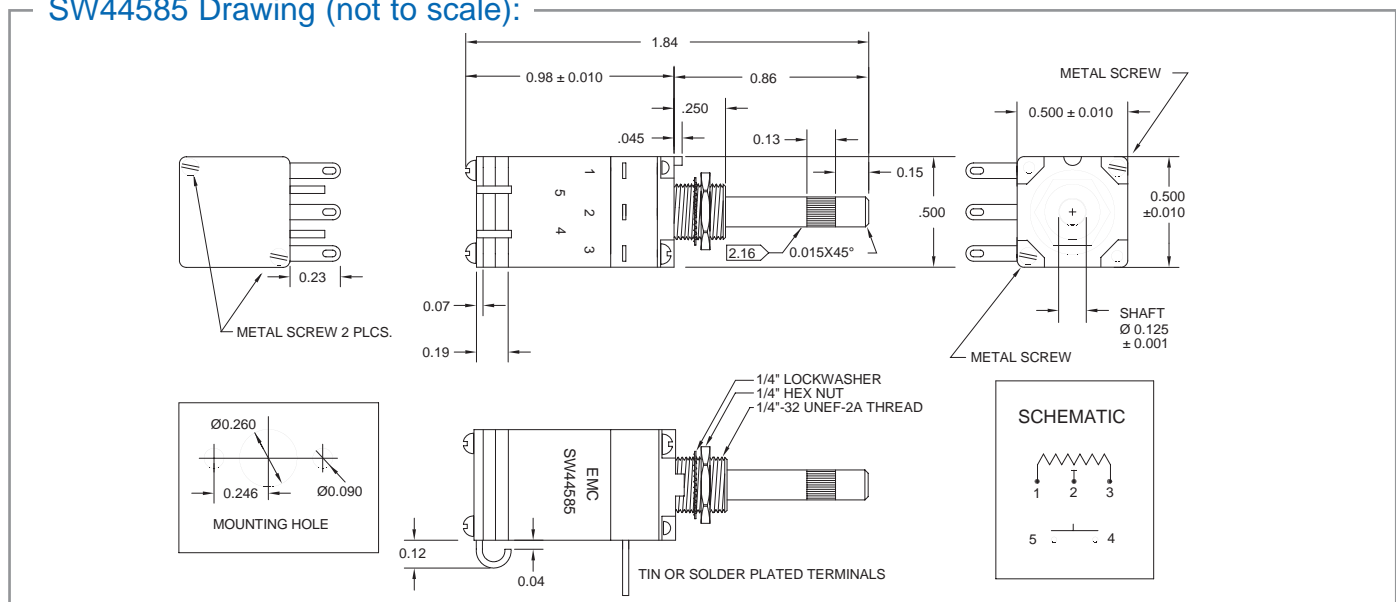
- ◆ Less than 1.00" behind panel depth
- ◆ Tactile feel PCB dome switch action
- ◆ Rated life of switch > 500,000 actuations
- ◆ Rotary potentiometer + pushbutton switch

Electro-Mech's new SW44585 tactile feel momentary potentiometer switch offers both rotary and push-on functionality for maximum operation control. The compact all-in-one unit saves valuable panel space in applications where there are tight design limitations. The SPST switch enables the user to specify a value so that at the push of a button, the circuit or channel automatically opens at the preset level. Edge-lit knob available upon request.

Specifications:

Ratings:	5mA to 100mA, 0.1vdc-50vdc (resistive load)
Operating Pressure:	14 oz. \pm 3 oz.
Switch Travel:	0.020 nominal
Weight:	0.3 oz. (8 g) (approx.)
Switch Action:	Momentary tactile feel, SPST NO circuitry
Actuations:	500,000 minimum (rated life of switch component)
Pot module life:	50,000 cycles minimum
Terminals:	PC pins, brass or phosphor bronze
Illumination:	Assembly may be edgelit when assembled with an edgelit knob (optional)

SW44585 Drawing (not to scale):



electro-mech

www.electromechcomp.com

info@electromechcomp.com

1826 Floradale Avenue • South El Monte, CA 91733-3689 USA * (626) 442-7180 * (888) 442-7180 * Fax (626) 350-8070