

SW44511

SPST Circuitry

Tactile Feel Potentiometer+Switch

Compact Behind Panel Depth



ELECTRO-MECH
COMPONENTS



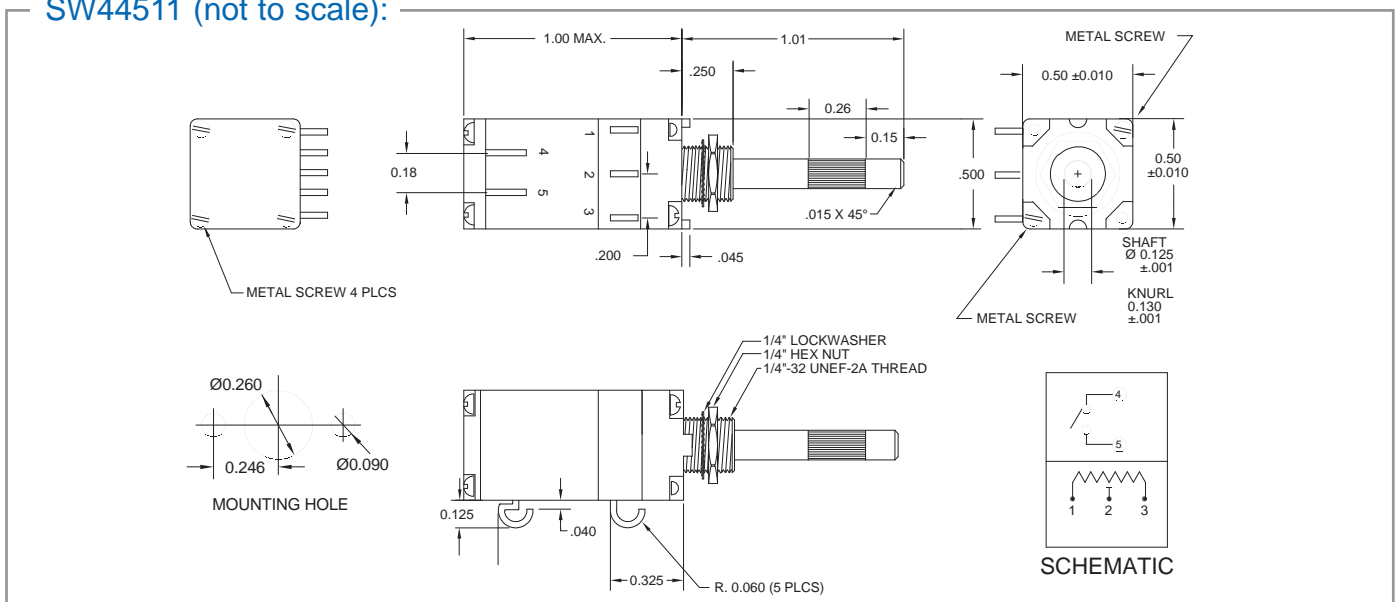
- ♦ Less than 1.00" behind panel depth
- ♦ Tactile feel pushbutton switch
- ♦ Rated life of switch >1,000,000 actuations
- ♦ Rotary potentiometer + pushbutton switch

Electro-Mech's new SW44511 tactile feel momentary potentiometer switch offers both rotary and push-on functionality for maximum operation control. The compact all-in-one unit saves valuable panel space in applications where there are tight design limitations. The SPST switch enables the user to specify a value so that at the push of a button, the circuit or channel automatically opens at the preset level.

Specifications:

Ratings:	1mA to 50mA, 5vdc-24vdc (resistive load)
Operating Pressure:	14 oz. \pm 5 oz.
Weight:	0.3 oz. (8 g) (approx.)
Switch Action:	Momentary tactile feel, SPST NO circuitry
Actuations:	1,000,000 minimum (rated life of switch component)
Pot module life:	50,000 cycles minimum
Terminals:	PC pins, brass or phosphor bronze
Illumination:	Assembly may be edgelit when assembled with an edgelit knob

SW44511 (not to scale):



electro-mech

www.electromechcomp.com

info@electromechcomp.com

1826 Floradale Avenue • South El Monte, CA 91733-3689 USA * (626) 442-7180 * (888) 442-7180 * Fax (626) 350-8070