

SW44473

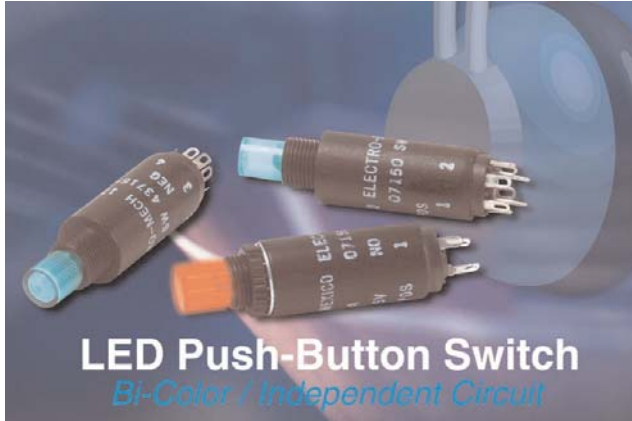
SPST Circuitry

Compact Bi-Color LED Switch

Bi-Color LED's: Red, Green, Red+Green



ELECTRO-MECH
COMPONENTS



LED Push-Button Switch
Bi-Color / Independent Circuit

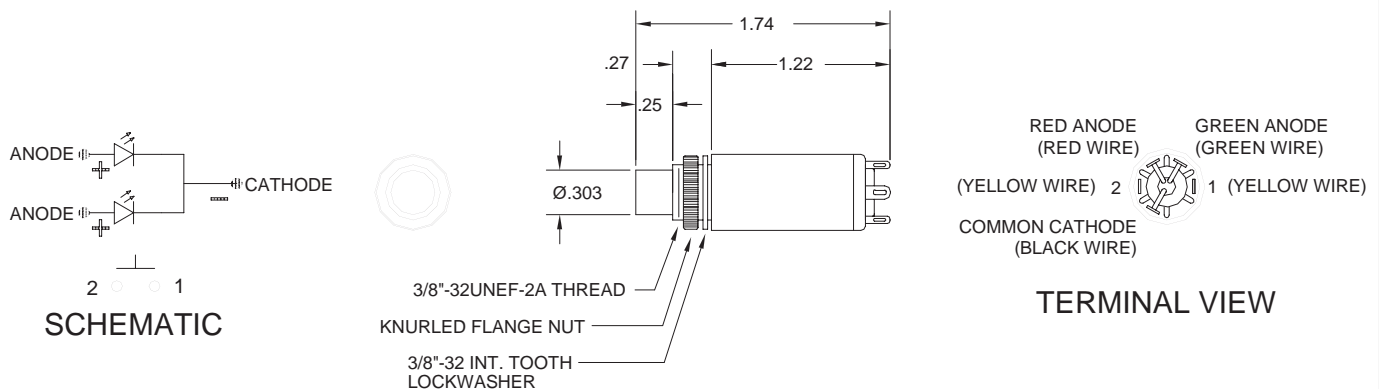
- ◆ Compact LED Switch <1.80" length
- ◆ Bi-Color LED
- ◆ Momentary or alternate action switching
- ◆ SPST circuitry

Electro-Mech has introduced its SW44473 compact, bi-color LED switch series. The SW44473 provides a bright bi-color LED light source within a durable fresnel lens button for high visibility and installations into small areas. Device offers SPST alternate action functionality, 1 N.O. circuit, and optional built-in resistor for operating at specific voltages VDC.

Specifications:

Ratings:	30 volts DC or 125 volts AC; 2.0A resistive, 0.5A inductive
Operating Pressure:	24 oz. \pm 8 oz.
Weight:	0.5 oz. (14 g) (approx.)
Switch Action:	Momentary or Alternate Action (SW44473 is alternate action)
Actuations:	100,000 minimum
Contacts:	Silver plated (gold plated contacts available)
Terminals:	Standard EMC solder lug. Accepts two 20 AWG wires. PC pin terminals also available.
Illumination:	T-1-3/4 (5mm) midget flange base LED built in; no external resistor.
Lens Display:	Clear fresnel lens; Lens illuminates red, green or red+green.

SW44473 (not to scale):



electro-mech

www.electromechcomp.com

info@electromechcomp.com

1826 Floradale Avenue • South El Monte, CA 91733-3689 USA * (626) 442-7180 * (888) 442-7180 * Fax (626) 350-8070